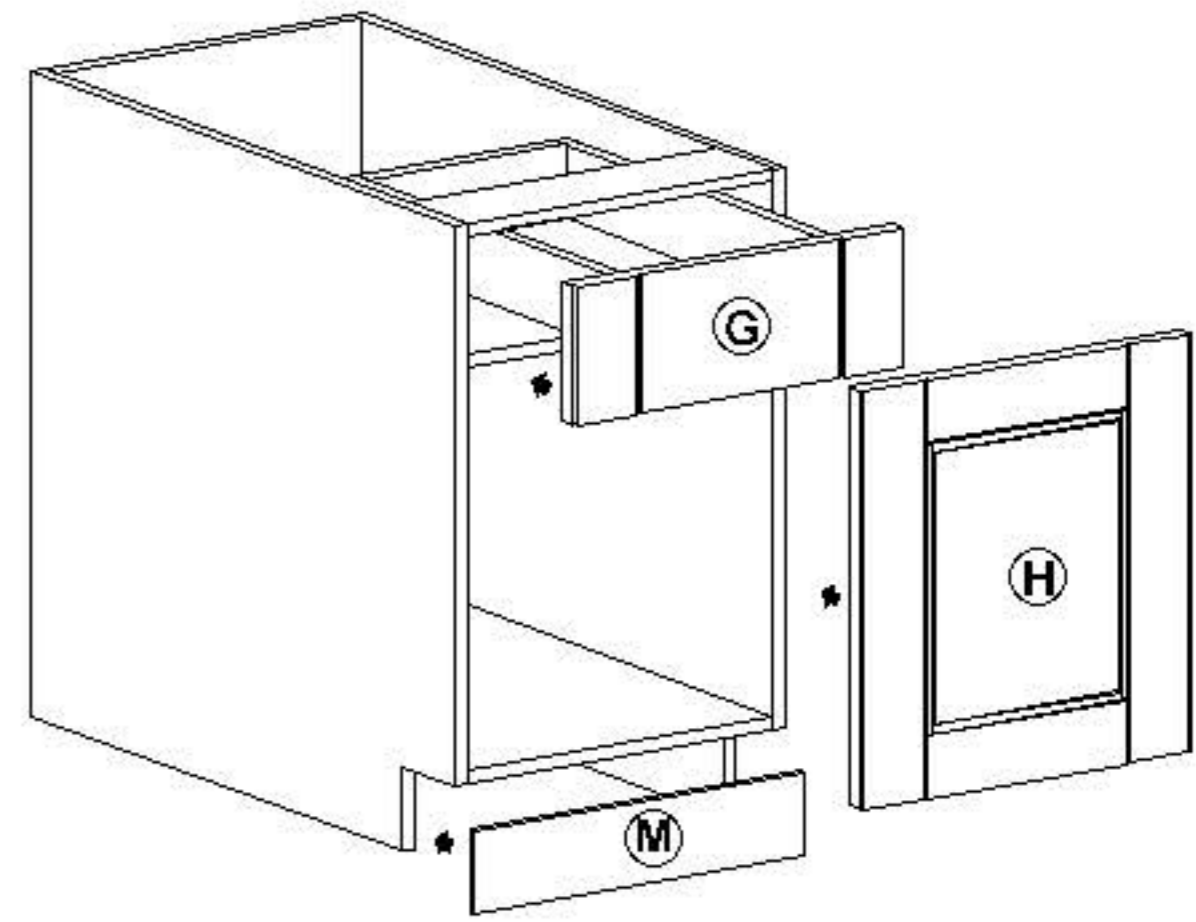
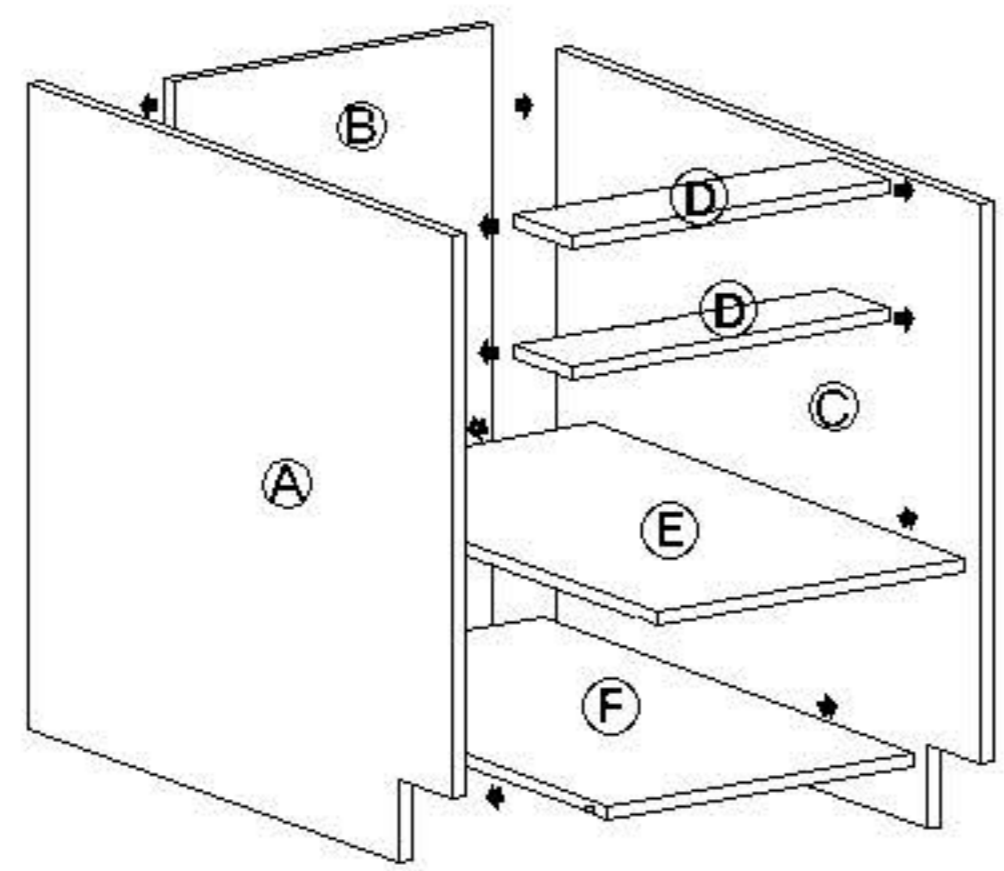
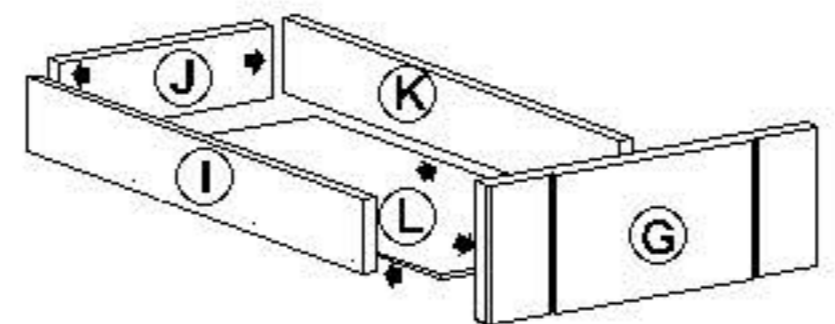
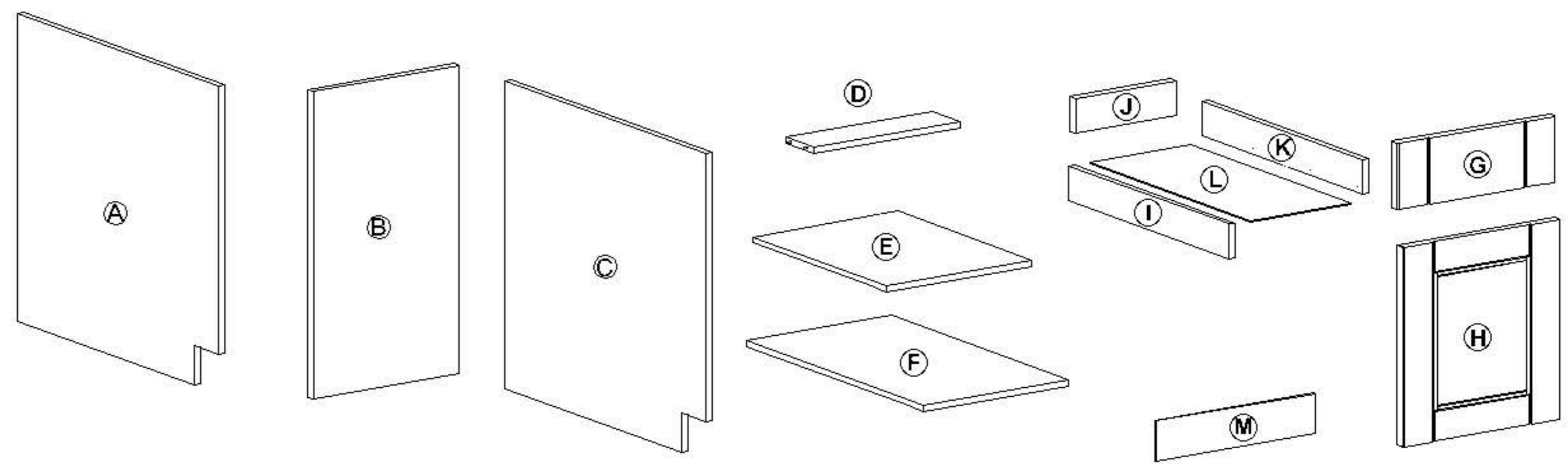


Assembling Instruction For Frameless Cabinet - 1 Drawer - 1 Door

AVAILABLE TYPE: B09 B12 B15 B18 B21

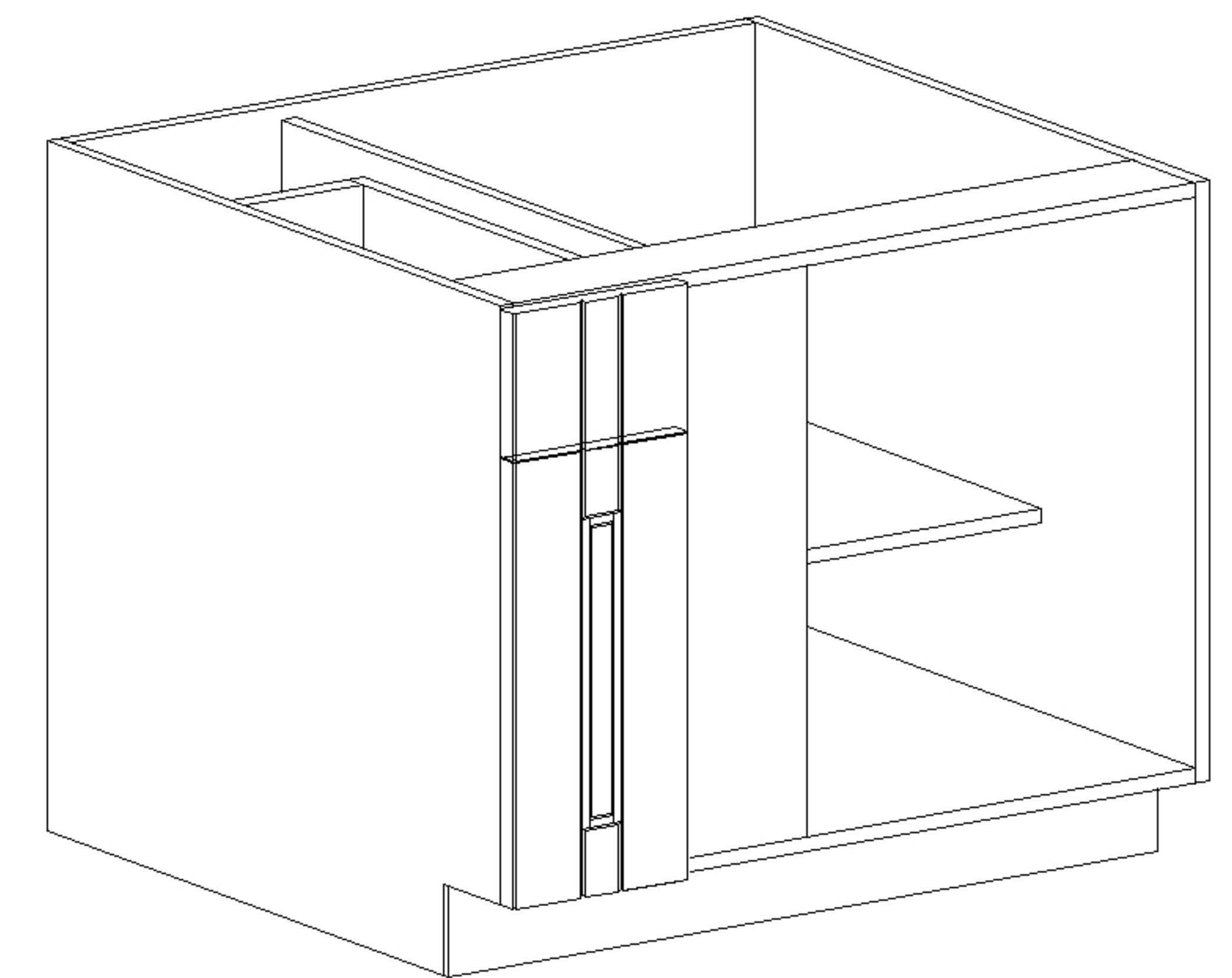
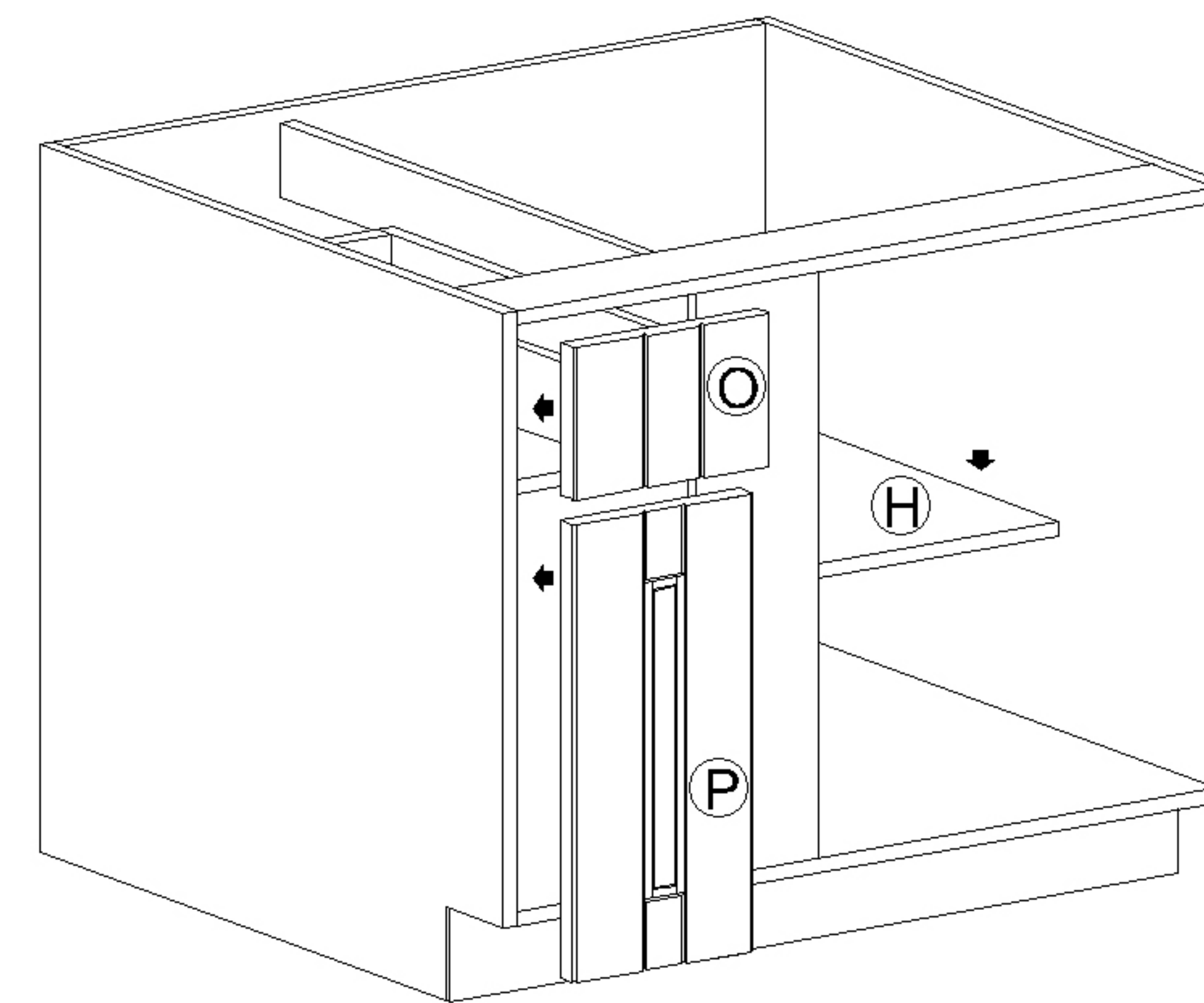
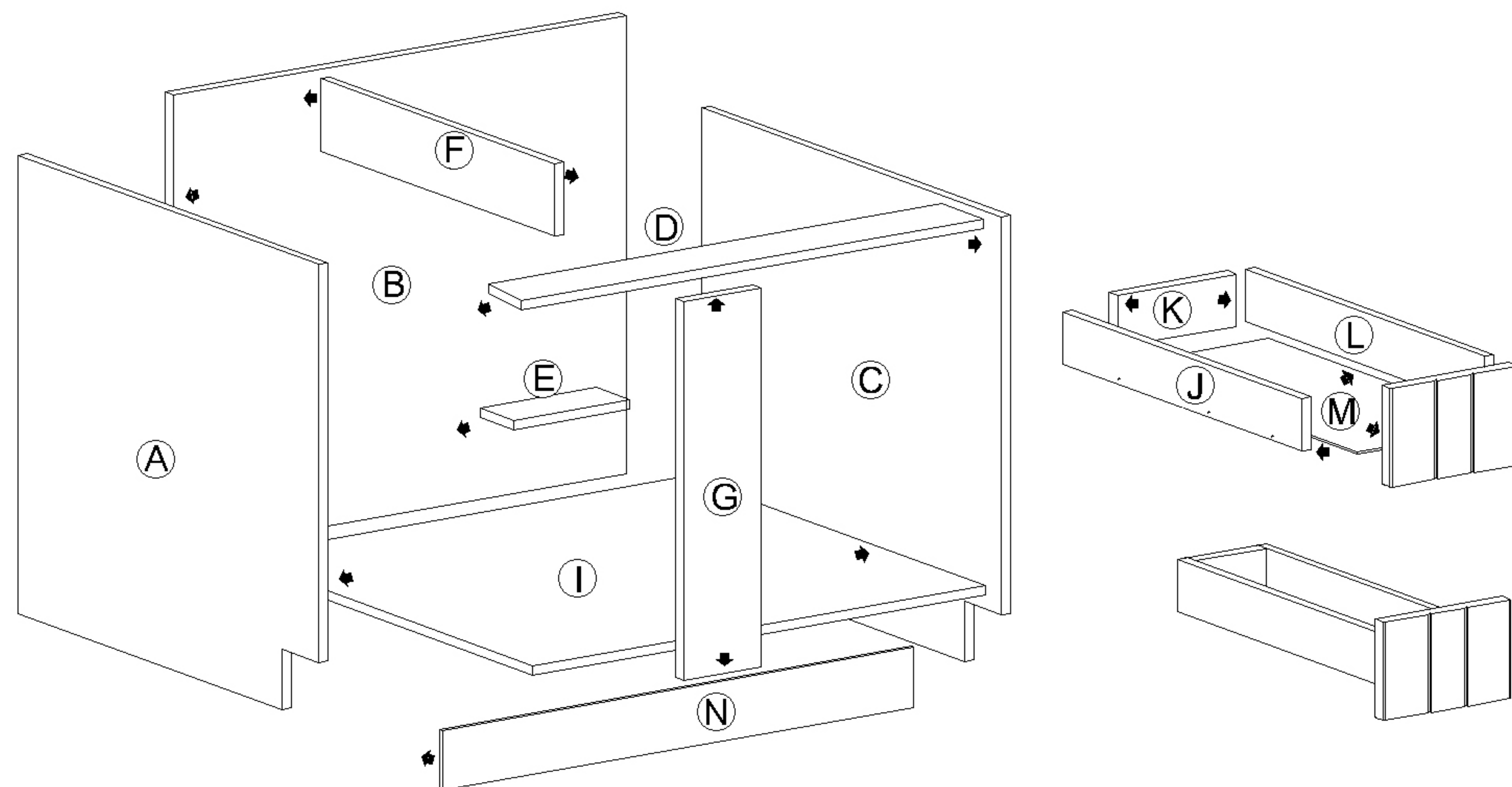
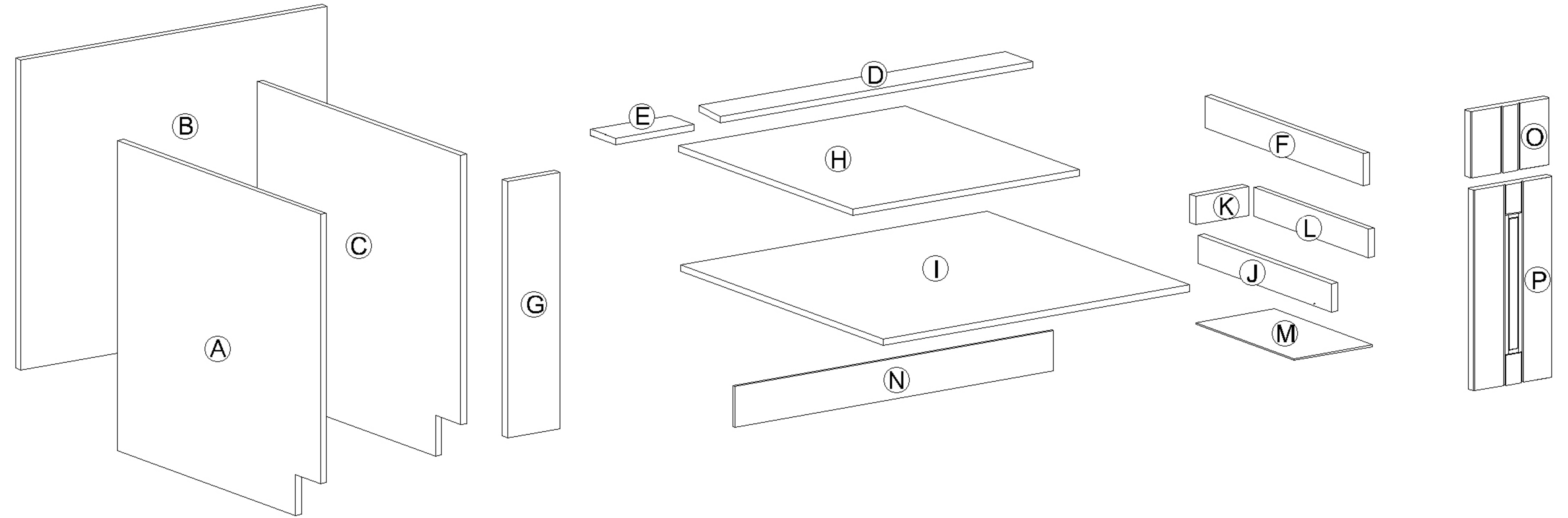
- A: Side Panel (Left)
- B: Back Panel
- C: Side Panel (Right)
- D: Rail 2 pcs
- E: Shelf (Adjustable Height)
- F: Bottom Panel
- G: Drawer Face
- H: Door
- I: Drawer Box Panel (Left)
- J: Drawer Box Panel (Back)
- K: Drawer Box Panel (Right)
- L: Drawer Box Panel (Bottom)
- M: Toe Kick



Assembling Instruction For Frameless Blind Base Corners Cabinet

AVAILABLE TYPE: BBC39 BBC42 BBC45

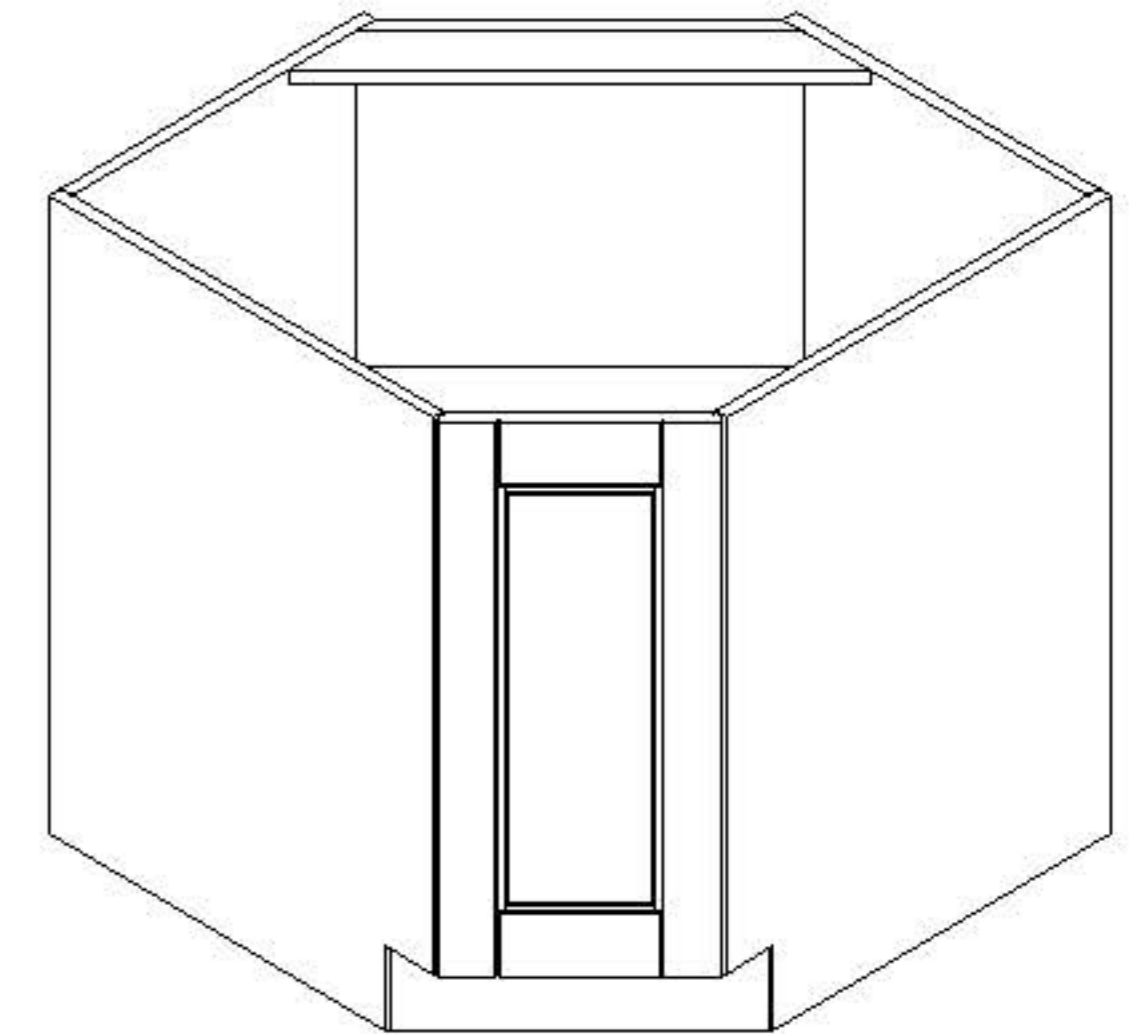
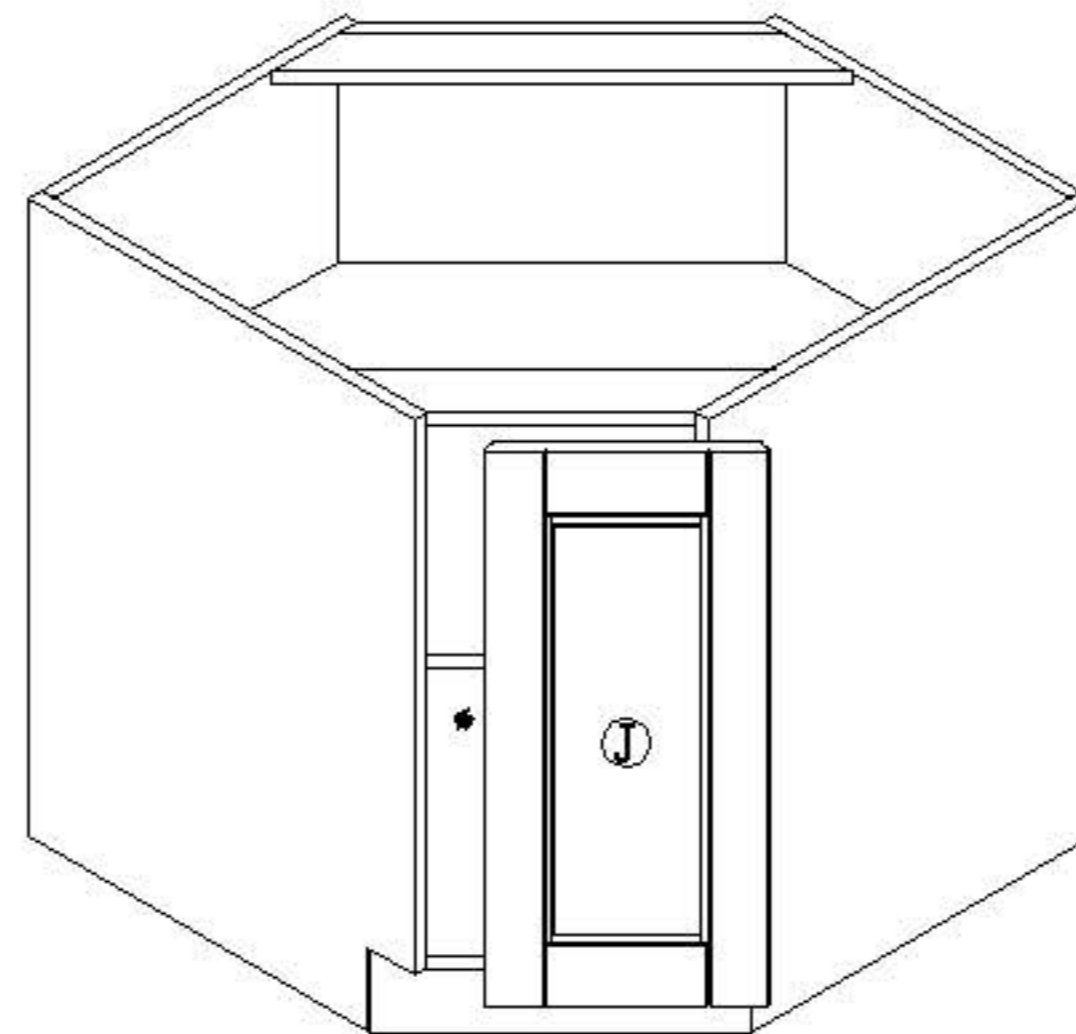
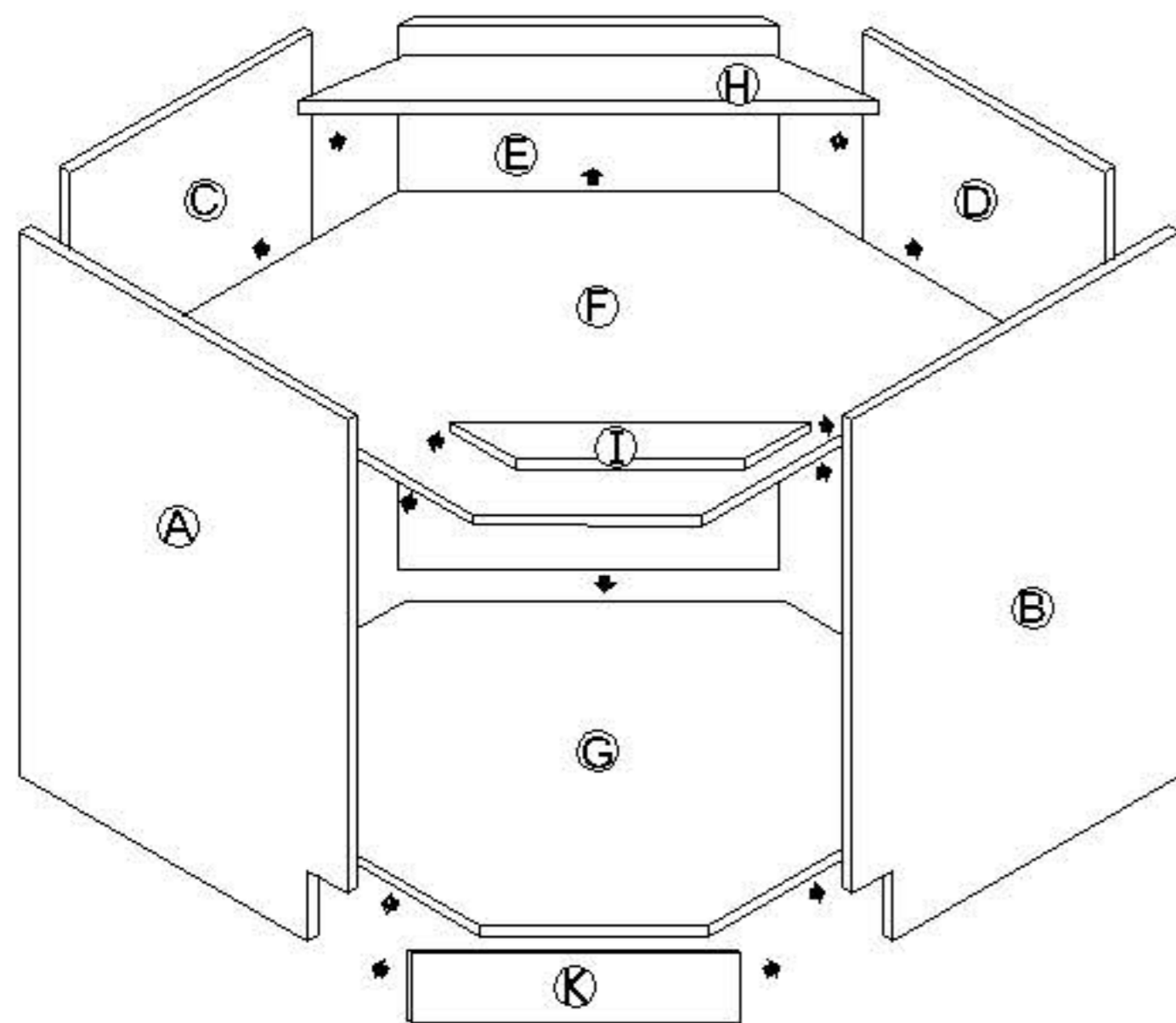
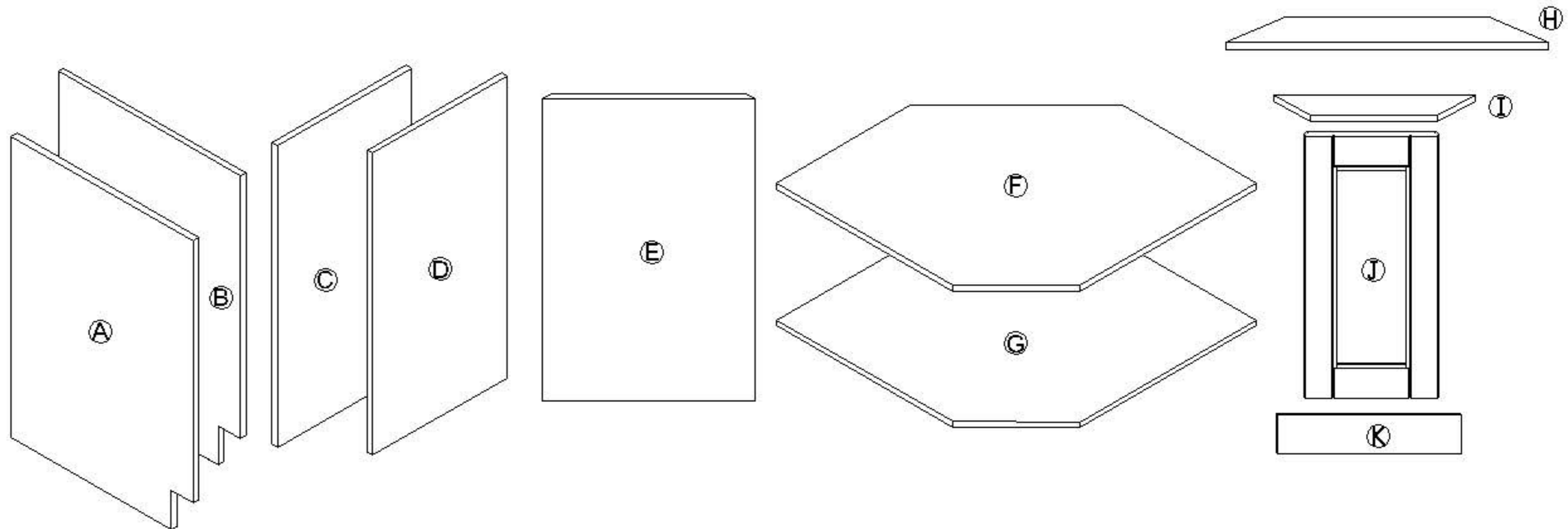
- A: Side Panel (Left)
- B: Back Panel
- C: Side Panel (Right)
- D: Long Rail
- E: Short Rail
- F: Drawer Slide Support
- G: Center Stile Support
- H: Shelf
- I: Bottom Panel
- J: Drawer Box Panel (Left)
- K: Drawer Box Panel (Back)
- L: Drawer Box Panel (Right)
- M: Drawer Box Panel (Bottom)
- N: Toe Kick
- O: Drawer Face
- P: Door



Assembling Instruction For Frameless Base Diagonal Corner

AVAILABLE TYPE: BDC36

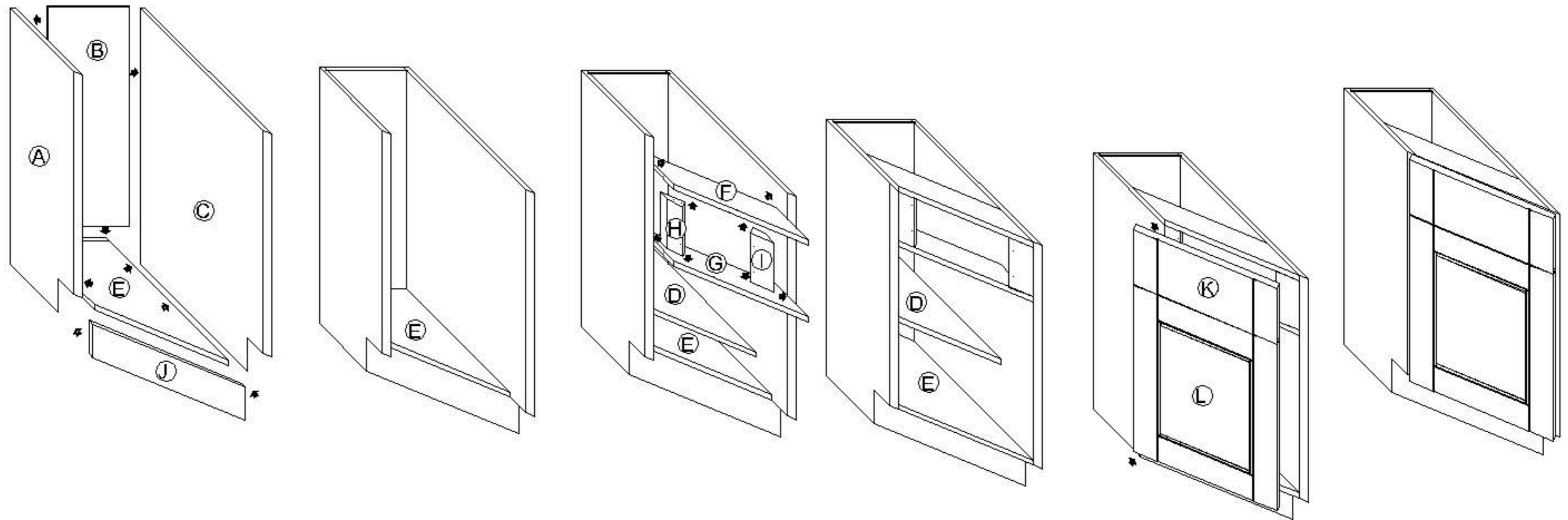
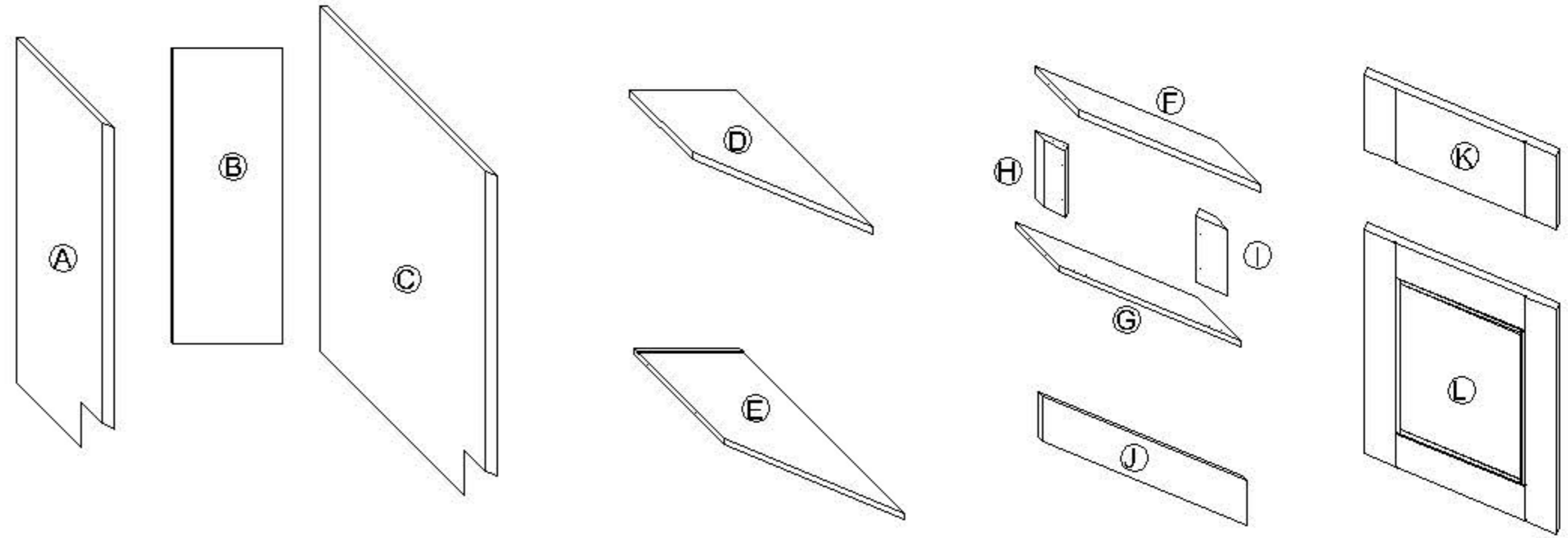
- A: Side Panel (Left Front)
- B: Side Panel (Right Front)
- C: Side Panel (Left Back)
- D: Side Panel (Right Back)
- E: Back Center Panel
- F: Shelf
- G: Bottom Panel
- H: Back Support Rail
- I: Front Support Rail
- J: Door
- K: Toe Kick



Assembling Instruction For Frameless Base End Angle

AVAILABLE TYPE: BEA12L BEA12R

- A: Side Panel (Left)
- B: Back Panel
- C: Side Panel (Right)
- D: Shelf
- E: Bottom Panel
- F: Top Rail
- G: Bottom Rail
- H: False Drawer Support (Left)
- I: False Drawer Support (Right)
- J: Toe Kick
- K: False Drawer Face
- L: Door

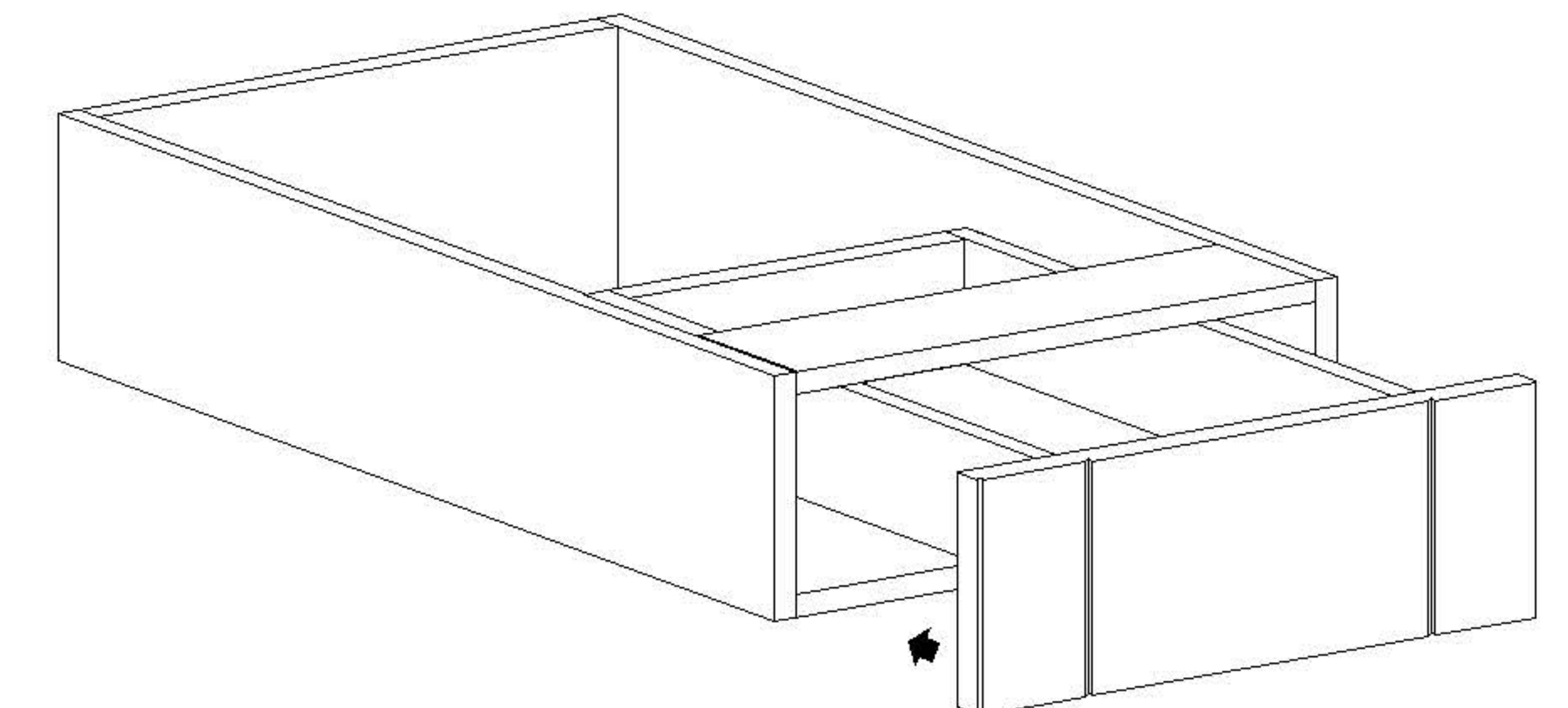
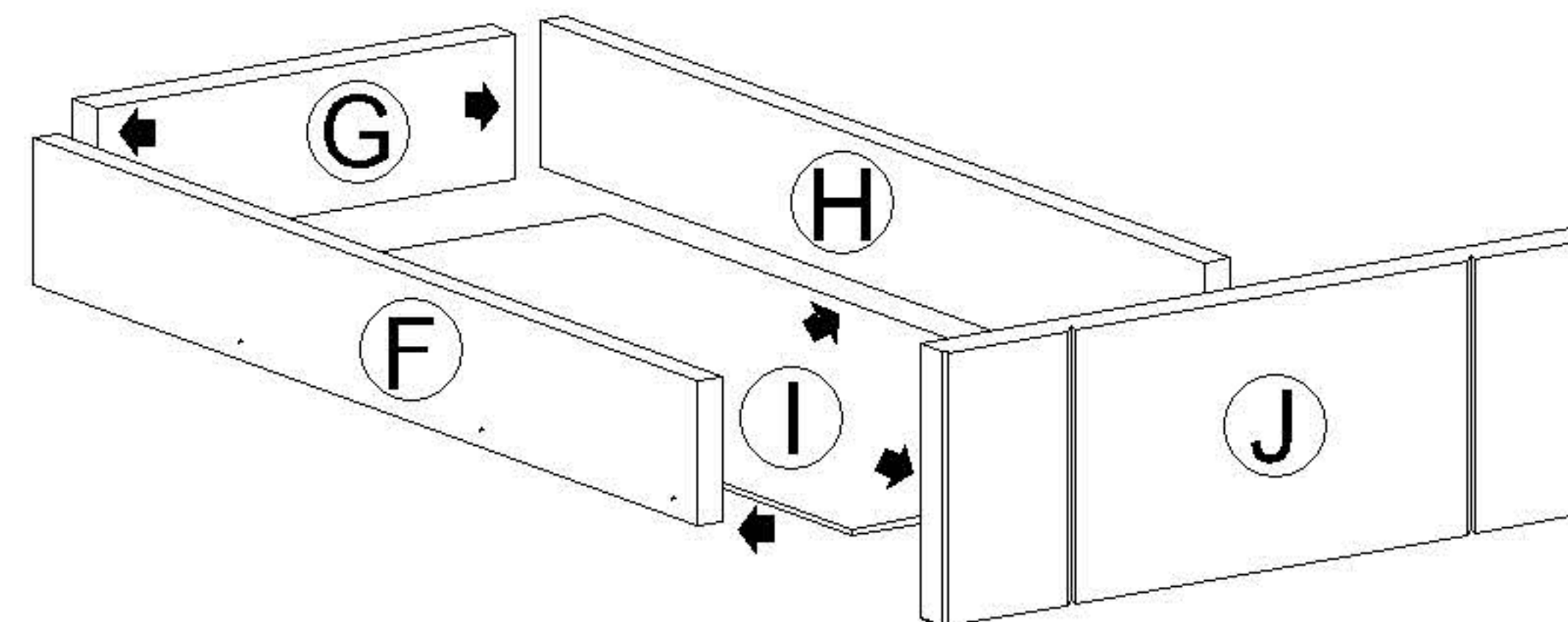
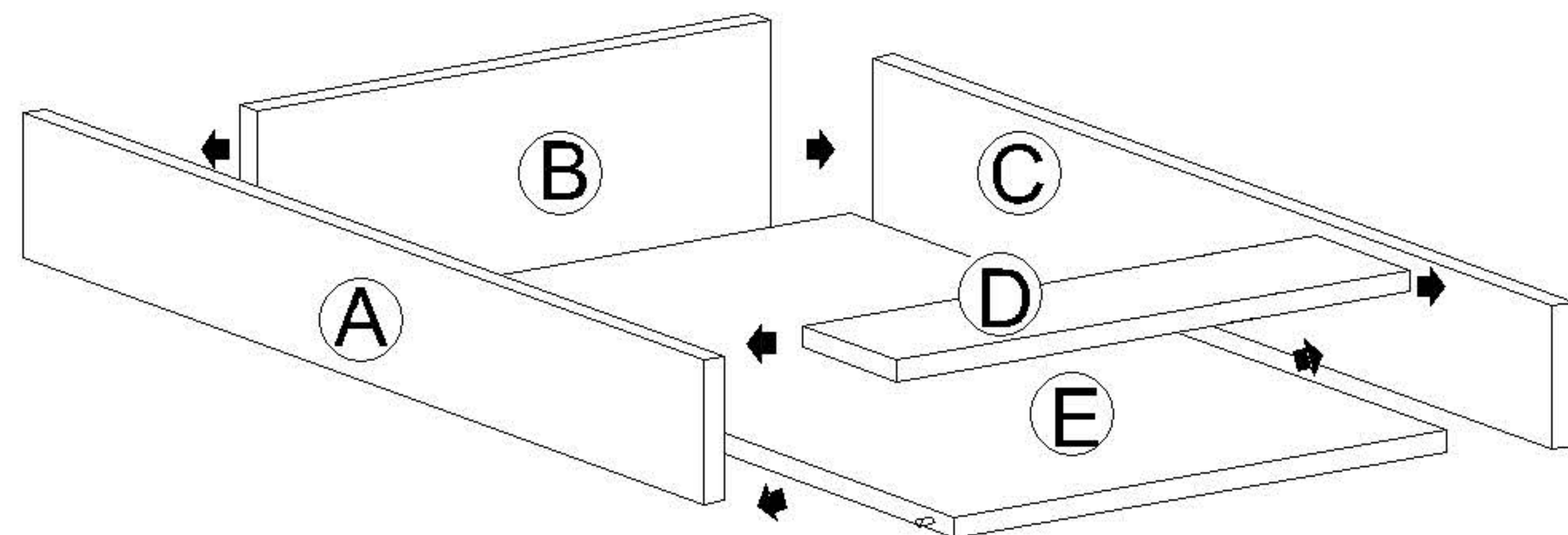
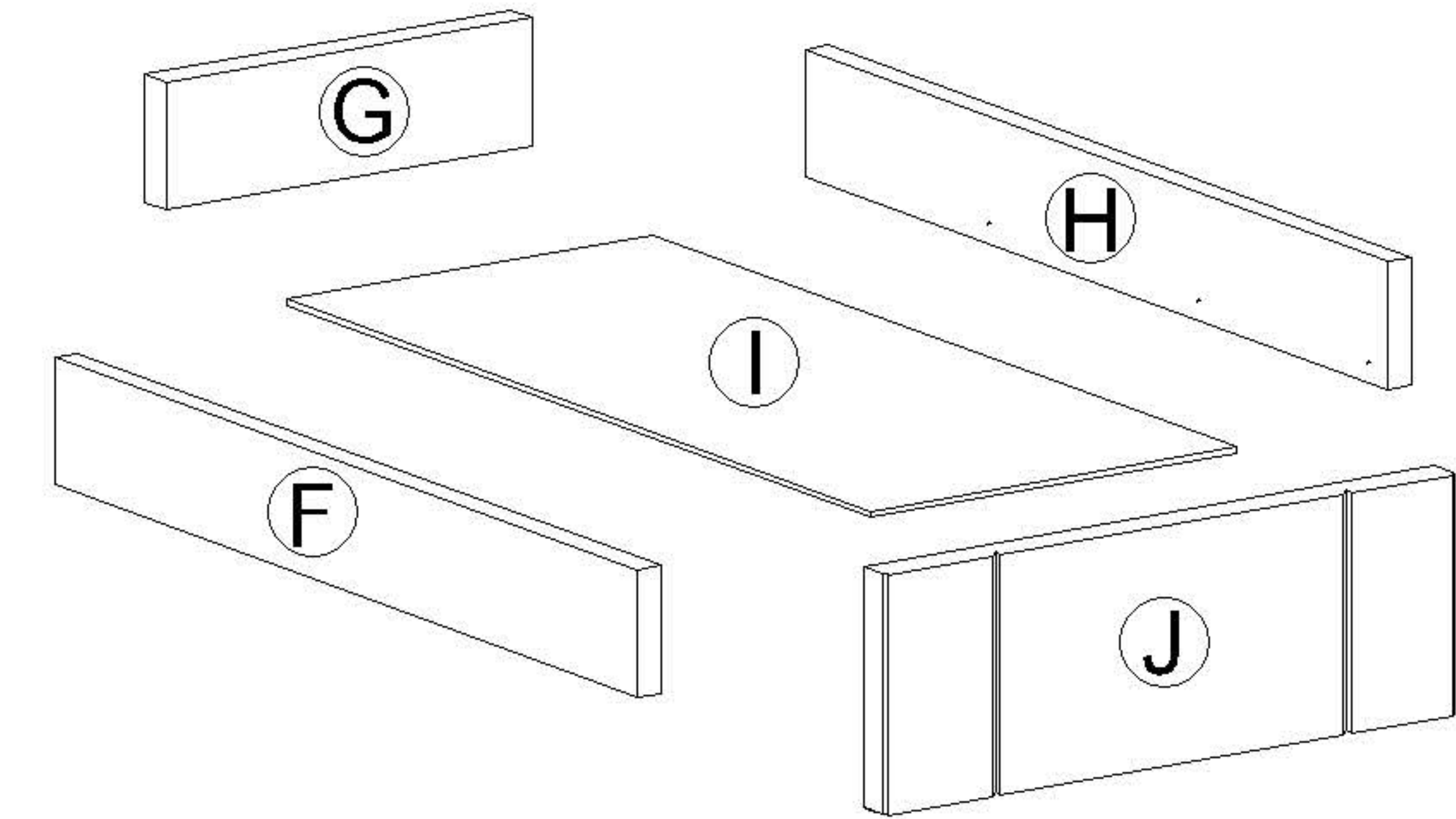
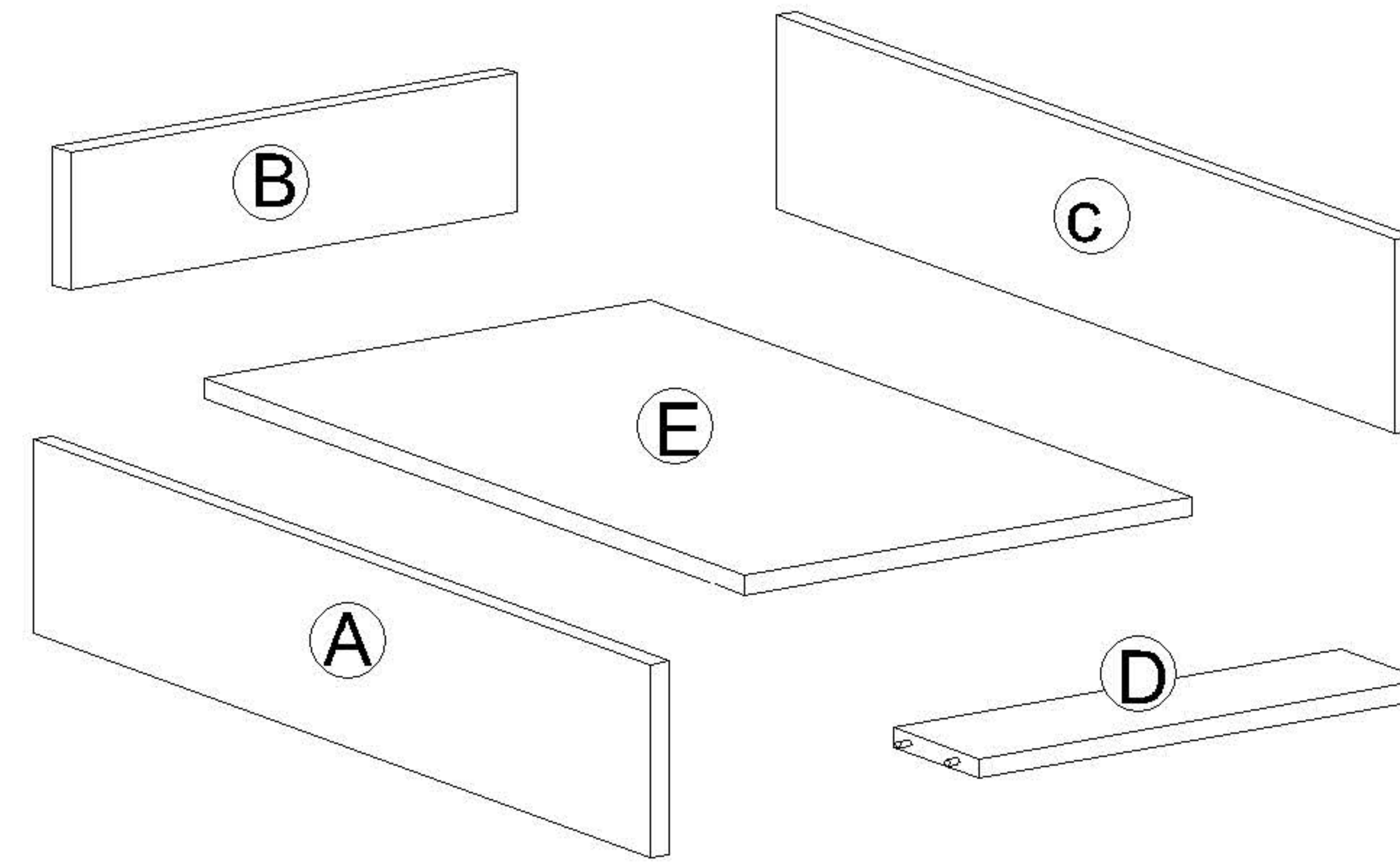


Note: BEA12L Shown in Picture

Assembling Instruction For Framless Base Kitchen Drawer

Available Type: BKD21 BKD24 BKD27 BKD30 BKD33 BKD36 BKD39 BKD42
KDD21 KDD24 KDD27 KDD30 KDD33 KDD36 KDD39 KDD42
DKD21 DKD24 DKD27 DKD30 DKD33 DKD36 DKD39 DKD42

- A: Side Panel (Left)
- B: Back Panel
- C: Side Panel (Right)
- D: Drawer Face Rail
- E: Bottom Rail
- F: Drawer Box Panel (Left)
- G: Drawer Box Panel (Back)
- H: Drawer Box Panel (Right)
- I: Drawer Box Panel (Bottom)
- J: Drawer Face

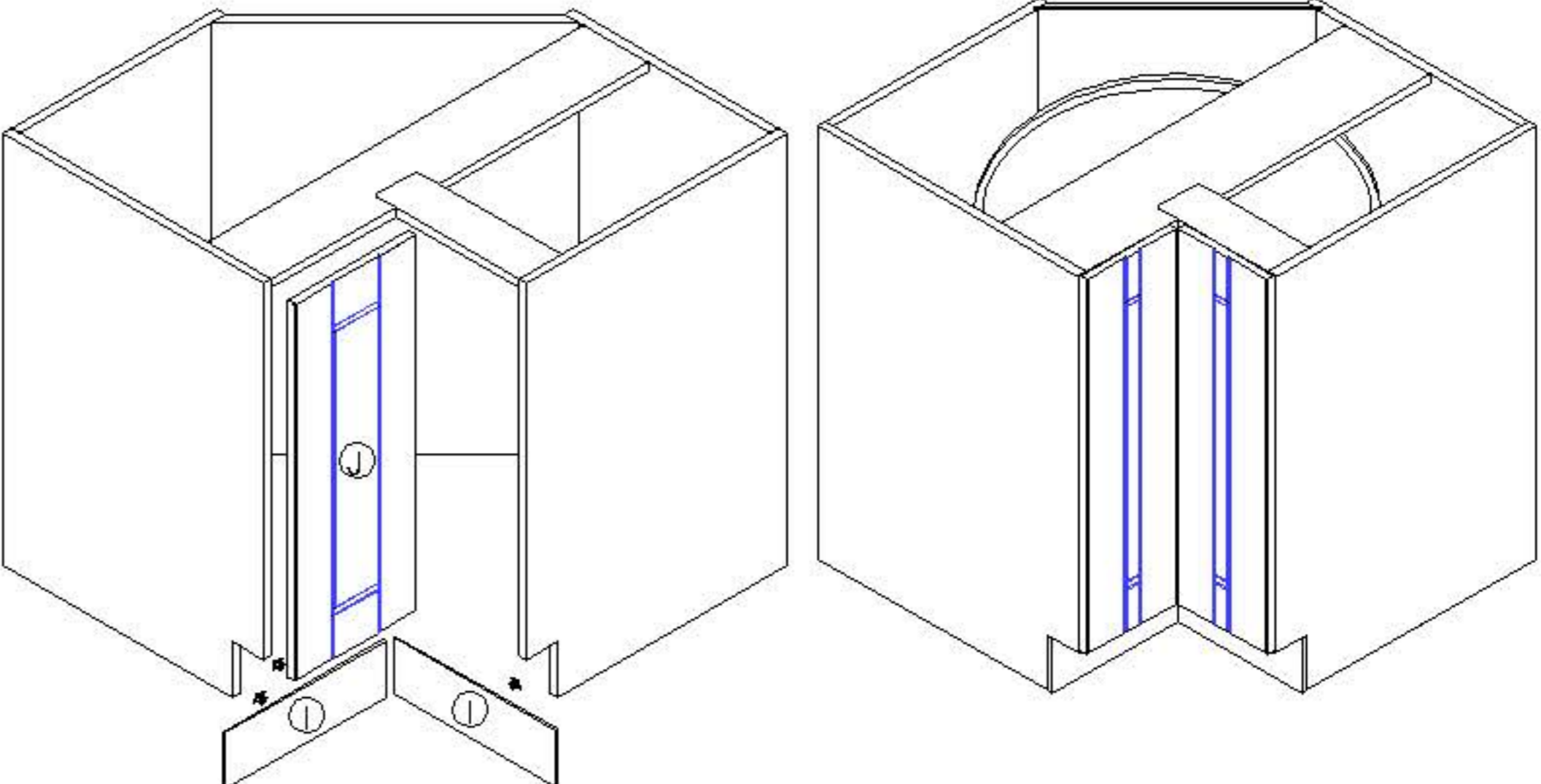
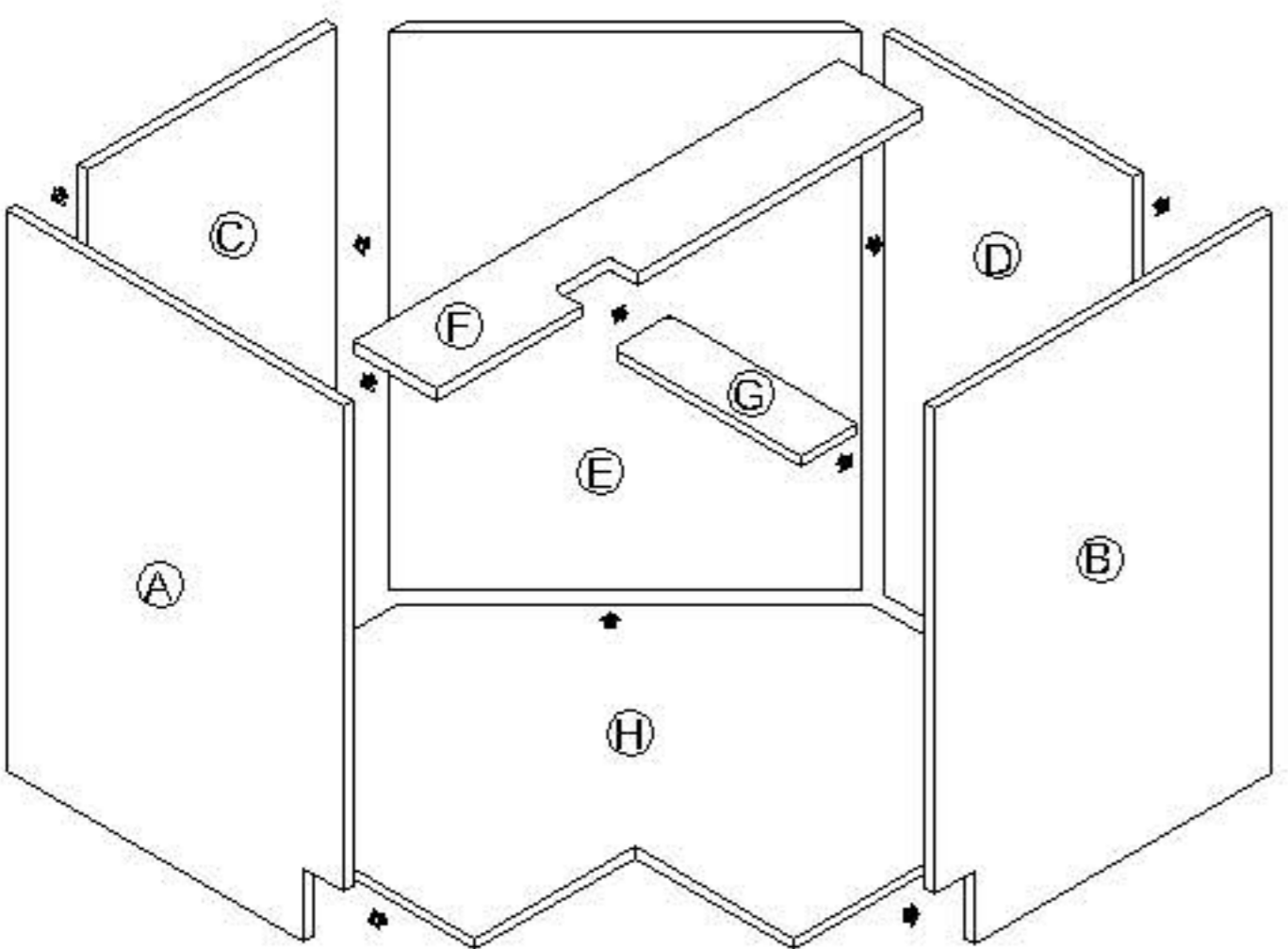
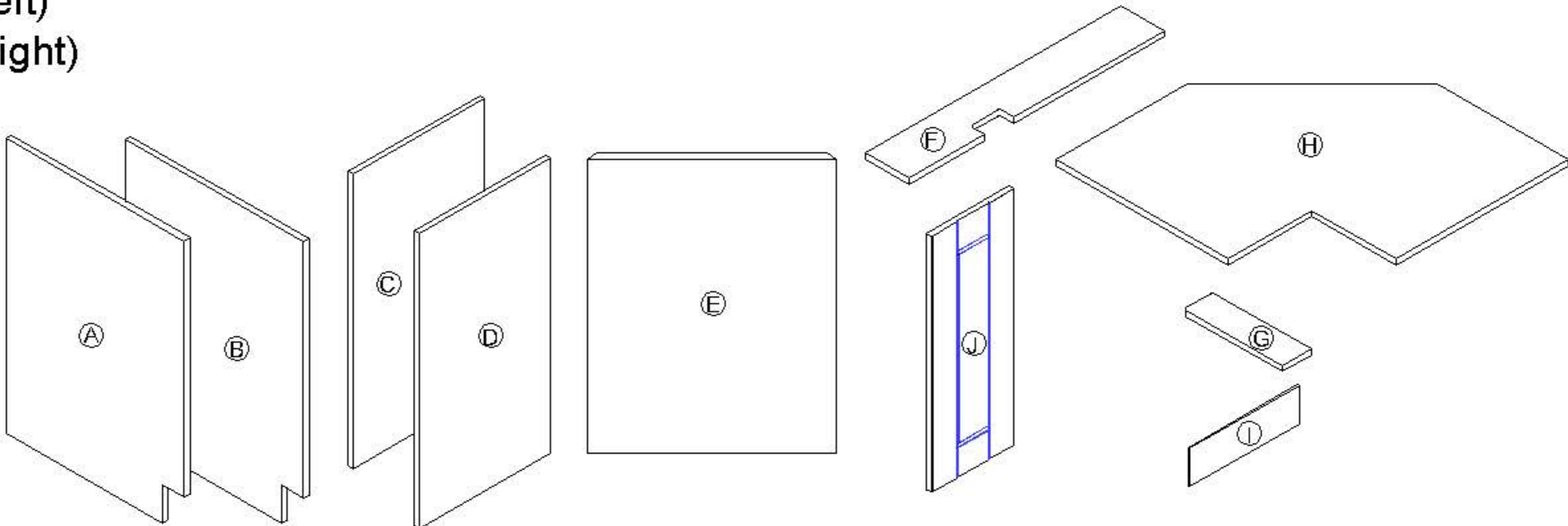


Note: KDD Comes With Slab Drawer Face

Assembling Instruction for Frameless Base Lazy Susan

AVAILABLE TYPE: BLS33 BLS36

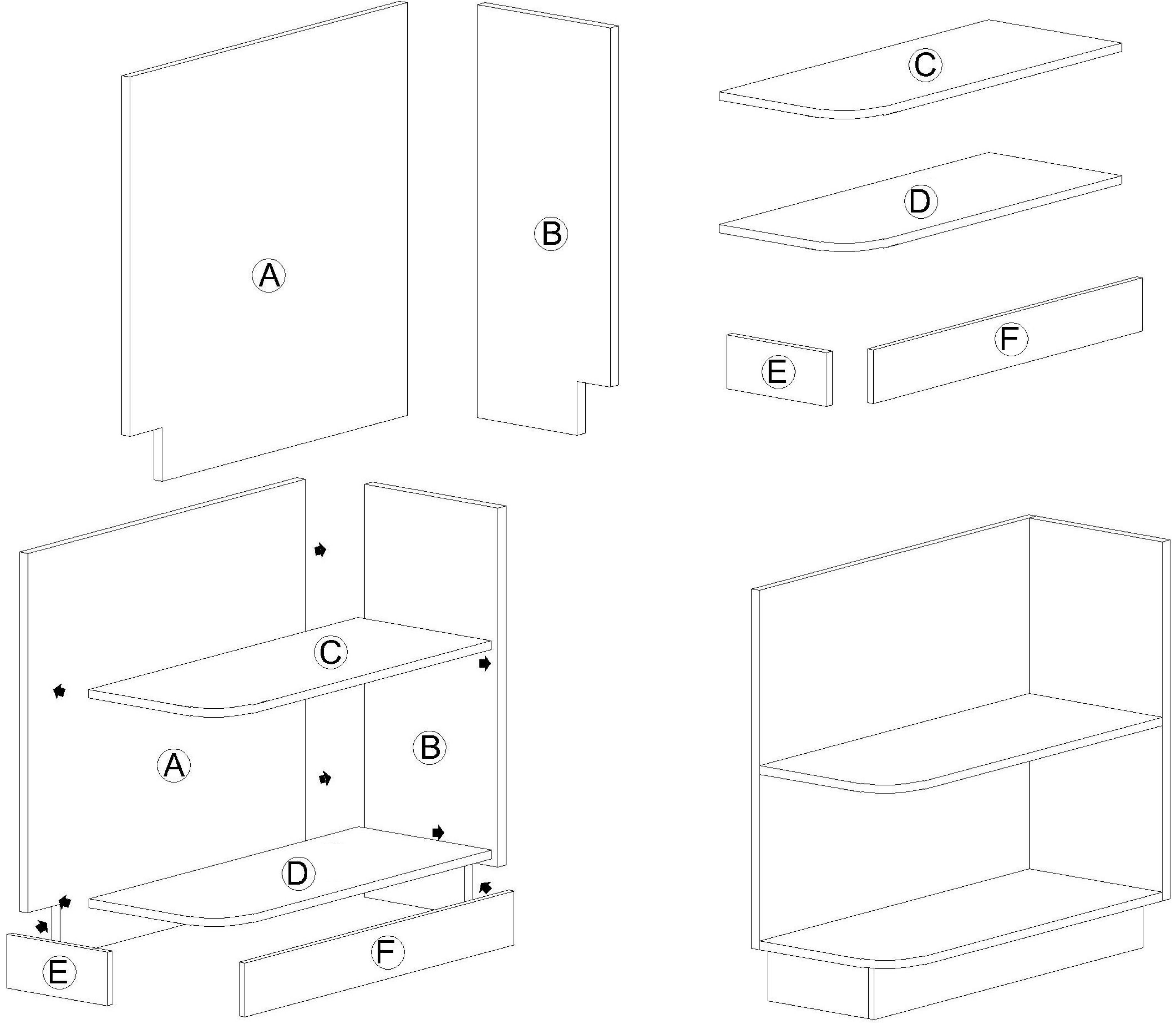
- A: Front Side Panel (Left)
- B: Front Side Panel (Right)
- C: Back Side Panel (Left)
- D: Back Side Panel (Right)
- E: Center Back Panel
- F: Long Support Rail
- G: Short Support Rail
- H: Bottom Panel
- I : Toe Kick
- J: Bi-Fold Doors



Assembling Instruction for Frameless Base Open End Shield Cabinet

AVAILABLE TYPE: BOES12L BOES12R

- A: Side Panel
- B: Back Panel
- C: Middle Panel
- D: Bottom Panel
- E: Toe Kick (Short)
- F: Toe Kick (Long)

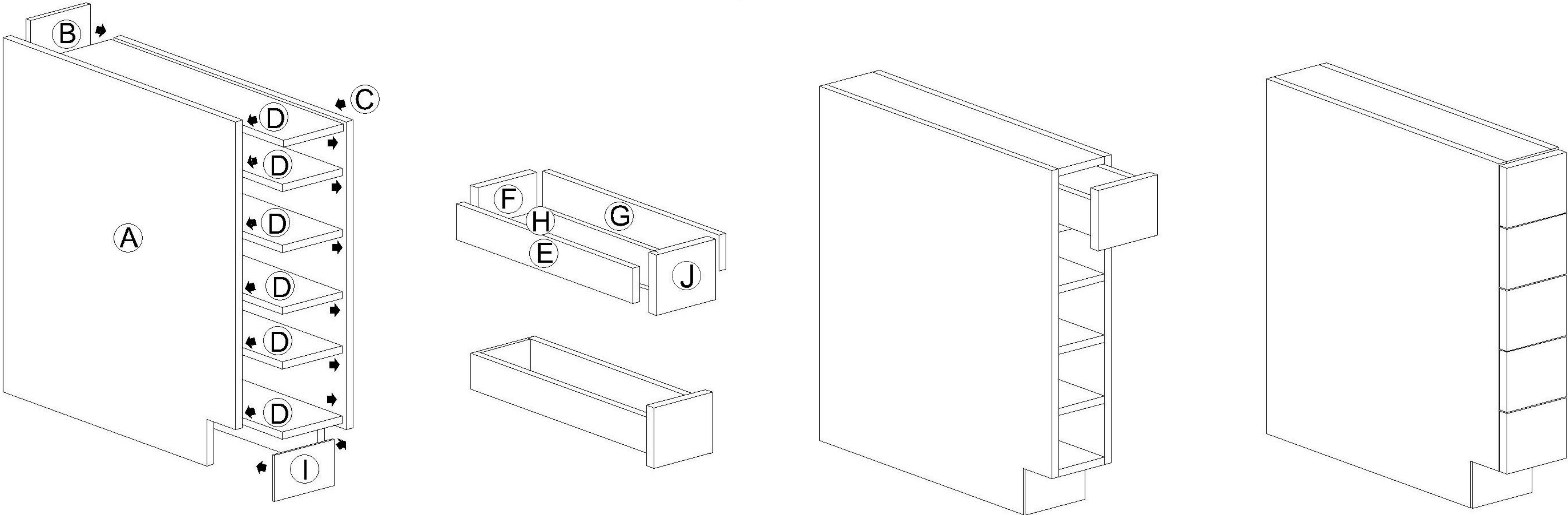
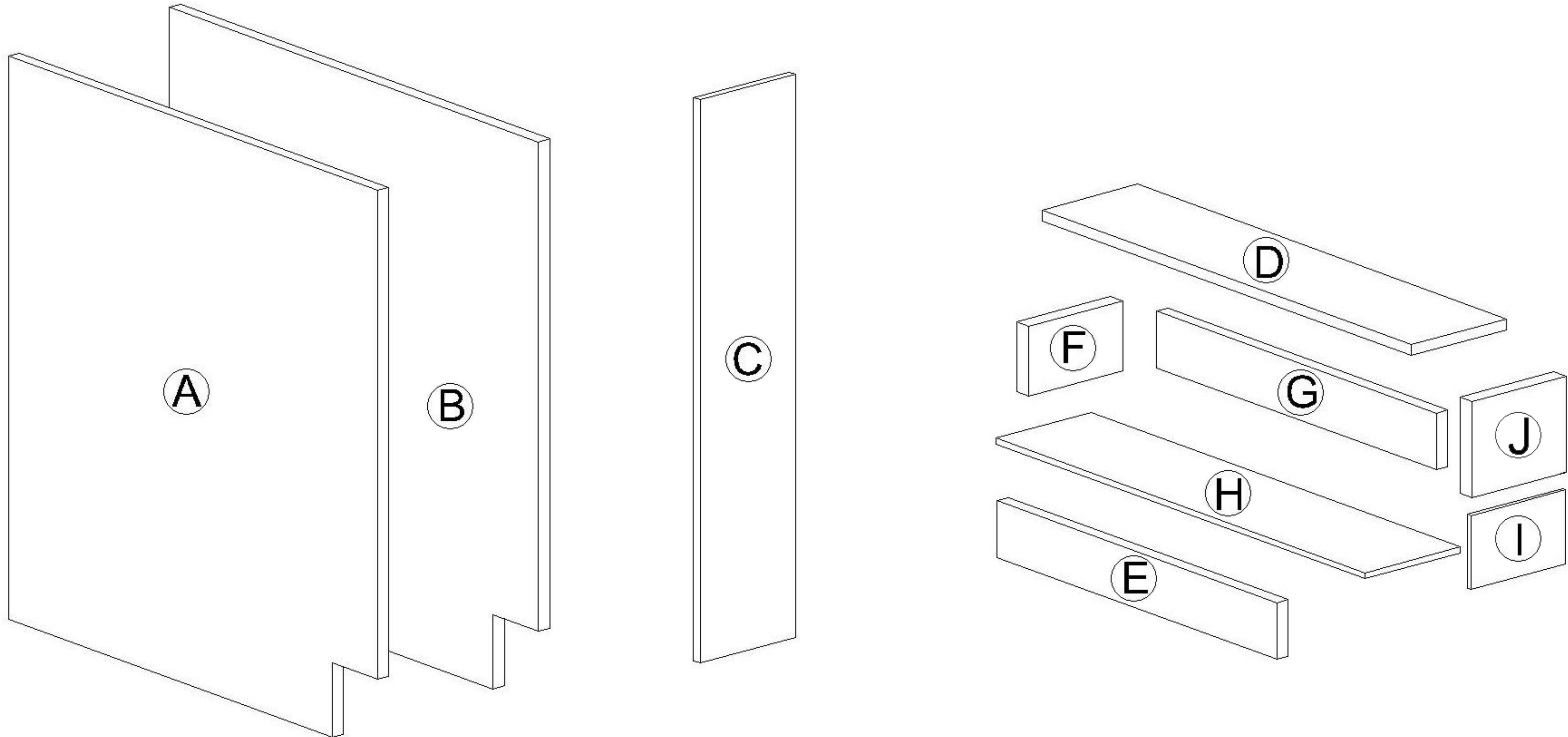


Note: BOES12R Shown in Picture

Assembling Instruction for Frameless Base Spice Drawer Cabinet

AVAILABLE TYPE: BSDC06

- A: Side Panel (Left)
- B: Side Panel (Right)
- C: Back Panel
- D: Divider Panel (5pcs)
- E: Drawer Box Panel (Left)
- F: Drawer Box Panel (Back)
- G: Drawer Box Panel (Right)
- H: Drawer Box Panel (Bottom)
- I: Toe Kick
- J: Drawer Face (5pcs)

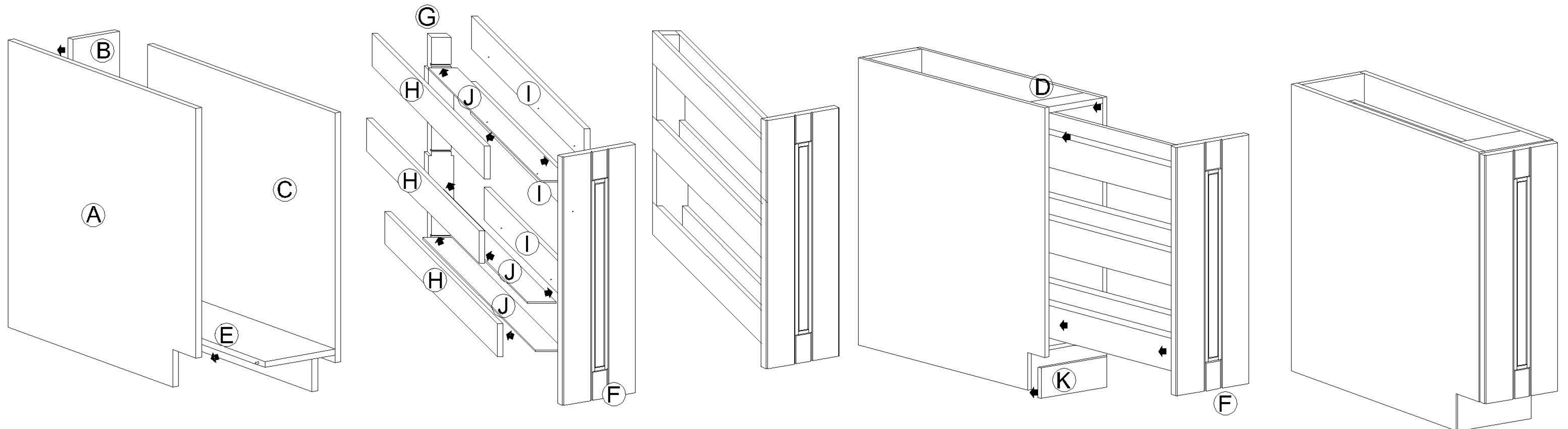
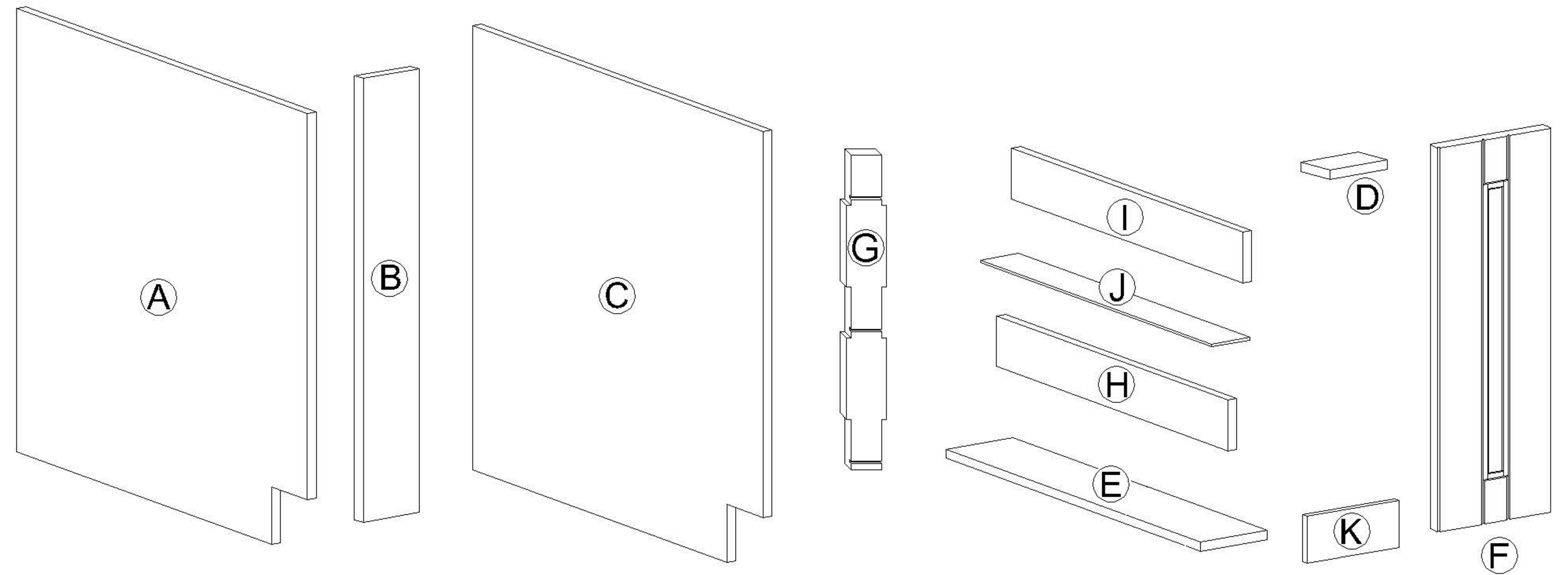


Note: This Cabinet Does **NOT** Come With Any Drawer Slide

Assembling Instruction for Frameless Base Spice Rail Cabinet

AVAILABLE TYPE: BSR09

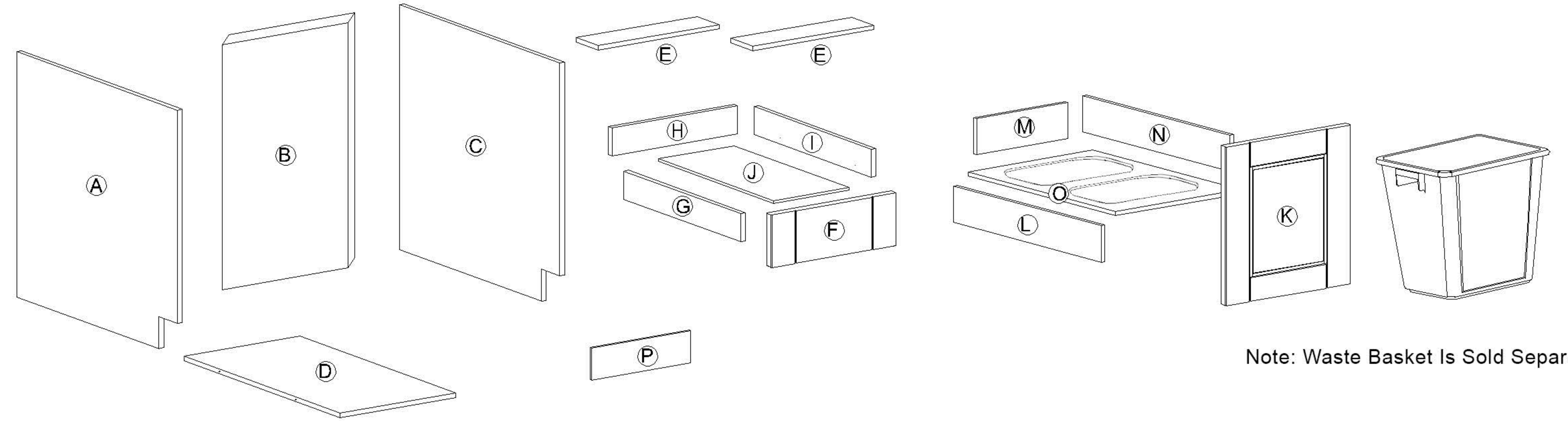
- A: Side Panel (Left)
- B: Back Panel
- C: Side Panel (Right)
- D: Cross Rail
- E: Bottom Panel
- F: Drawer Face
- G: Spice Rail Back Panel
- H: Drawer Box Panel (Left) (3pcs)
- I: Drawer Box Panel (Right) (3pcs)
- J: Drawer Box Panel (Bottom) (3pcs)
- K: Toe Kick



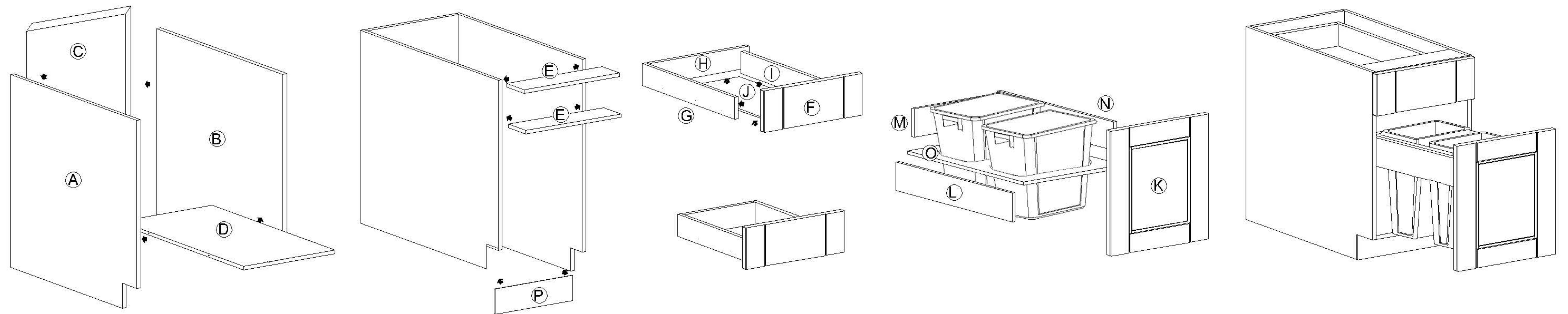
Assembling Instruction for Frameless Base Waste Basket Cabinet

AVAILABLE TYPE: BWBK18-2

- A: Side Panel (Left)
- B: Back Panel
- C: Side Panel (Right)
- D: Bottom Panel
- E: Rail (2pcs)
- F: Top Drawer Face
- G: Top Drawer Box Panel (Left)
- H: Top Drawer Box Panel (Back)
- I: Top Drawer Box Panel (Right)
- J: Top Drawer Box Panel (Bottom)
- K: Bottom Drawer Face
- L: Bottom Drawer Panel (Left)
- M: Bottom Drawer Panel (Back)
- N: Bottom Drawer Panel (Right)
- O: Bottom Drawer Panel (Bottom)
- P: Toe Kick



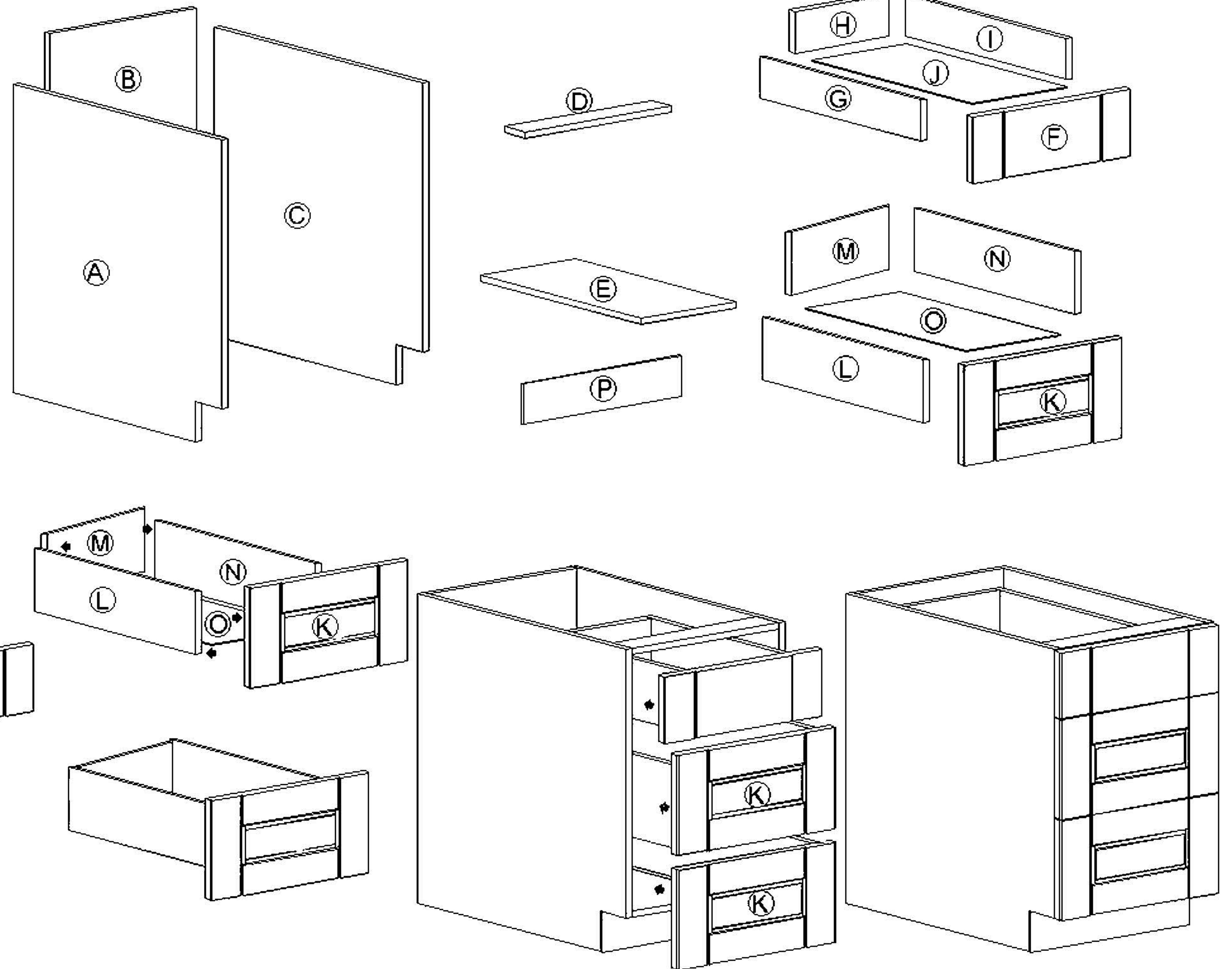
Note: Waste Basket Is Sold Separately



Assembling Instruction for Frameless Drawer Base Cabinet

AVAILABLE TYPE: DB12-3 DB15-3 DB18-3
DB21-3 DB24-3 DB27-3
DB30-3 DB33-3 DB36-3

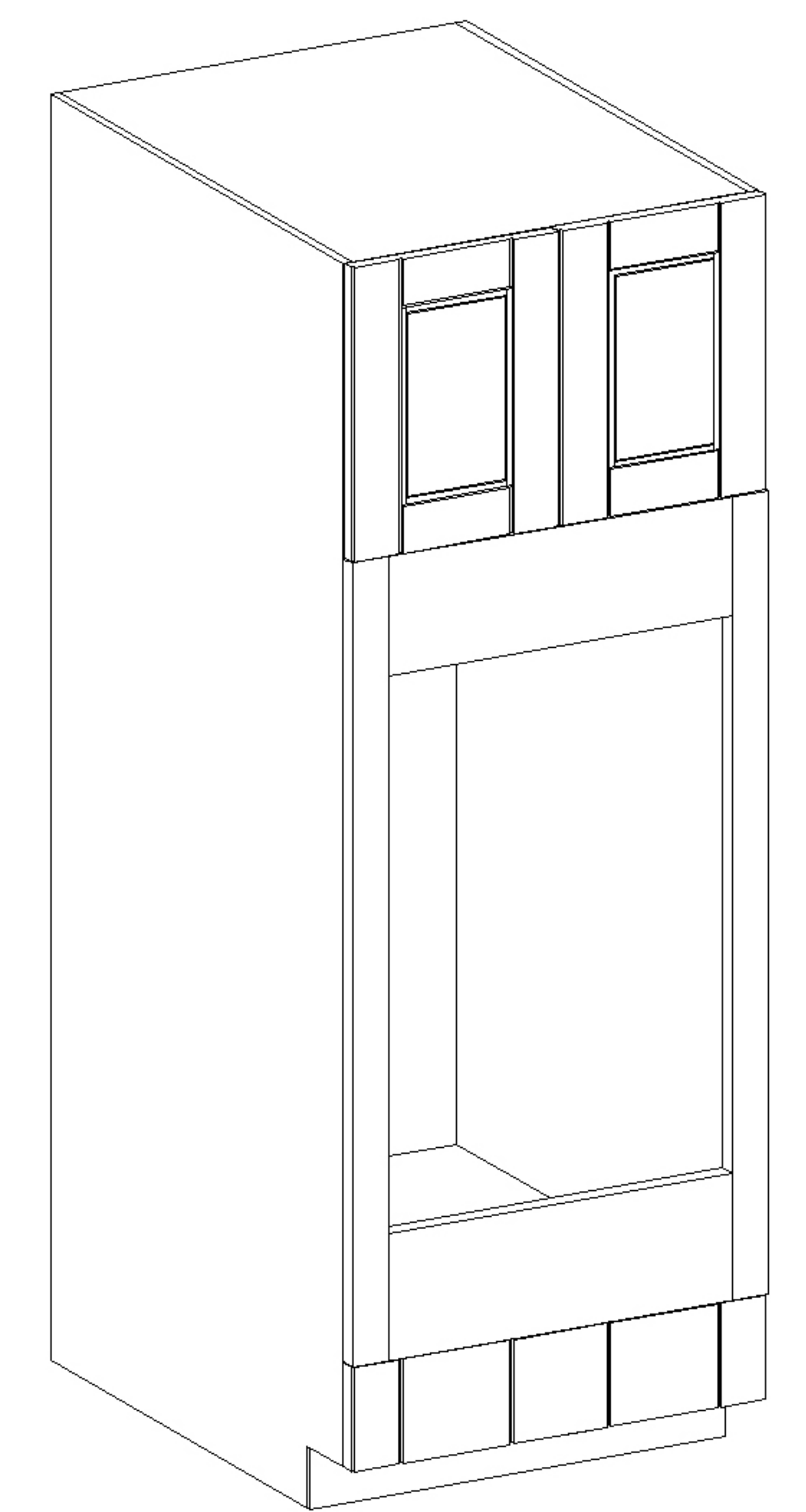
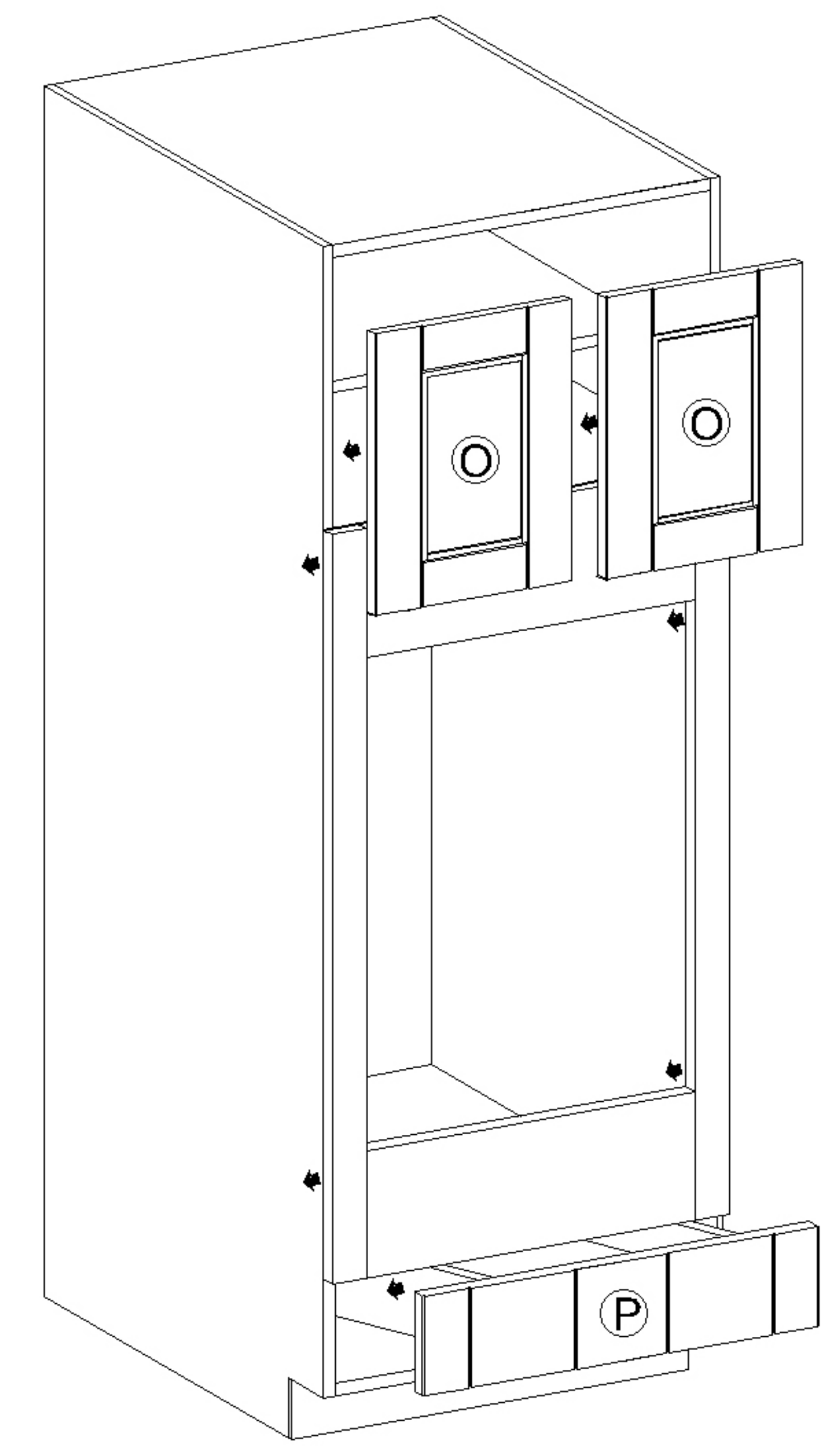
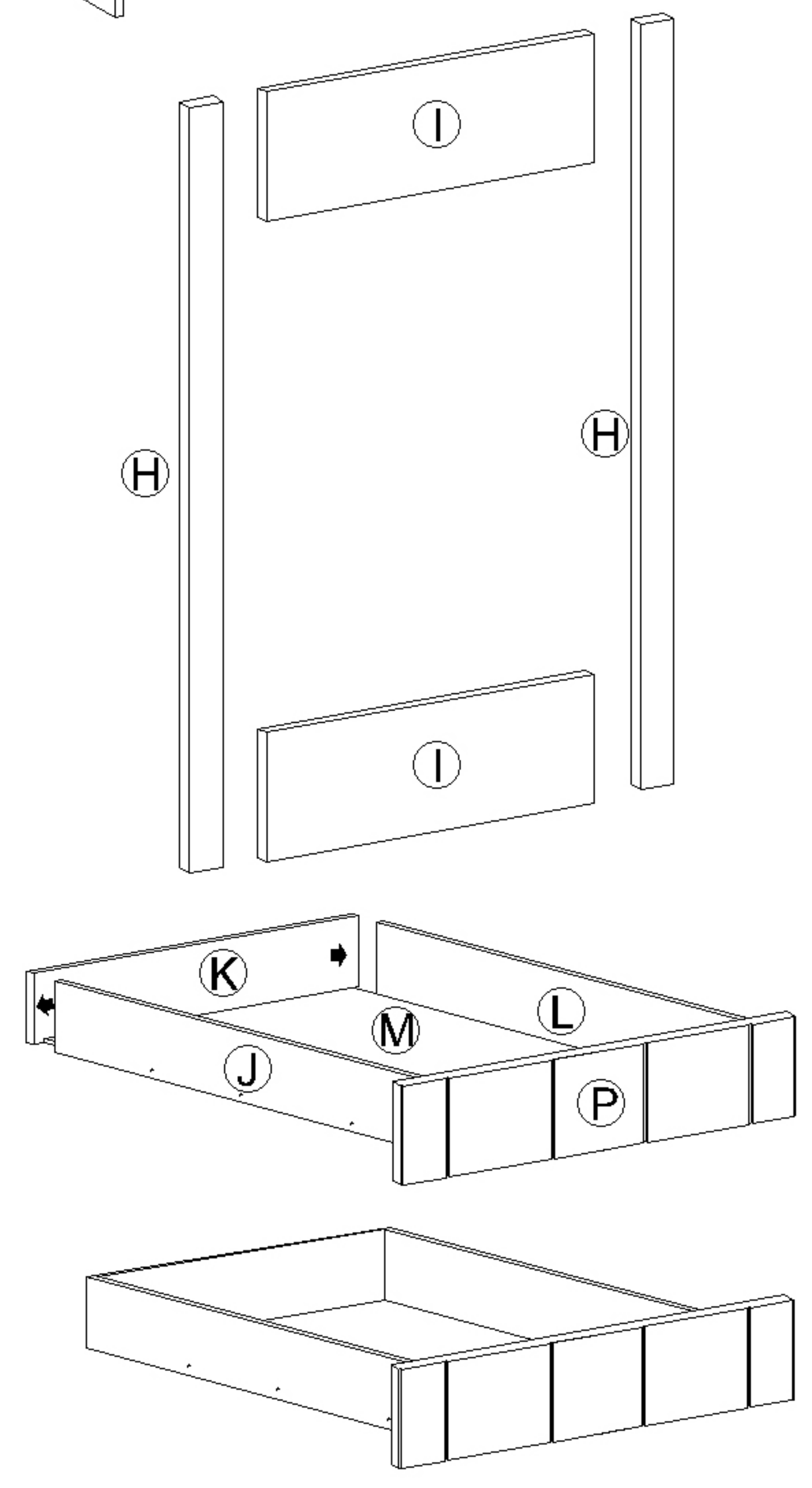
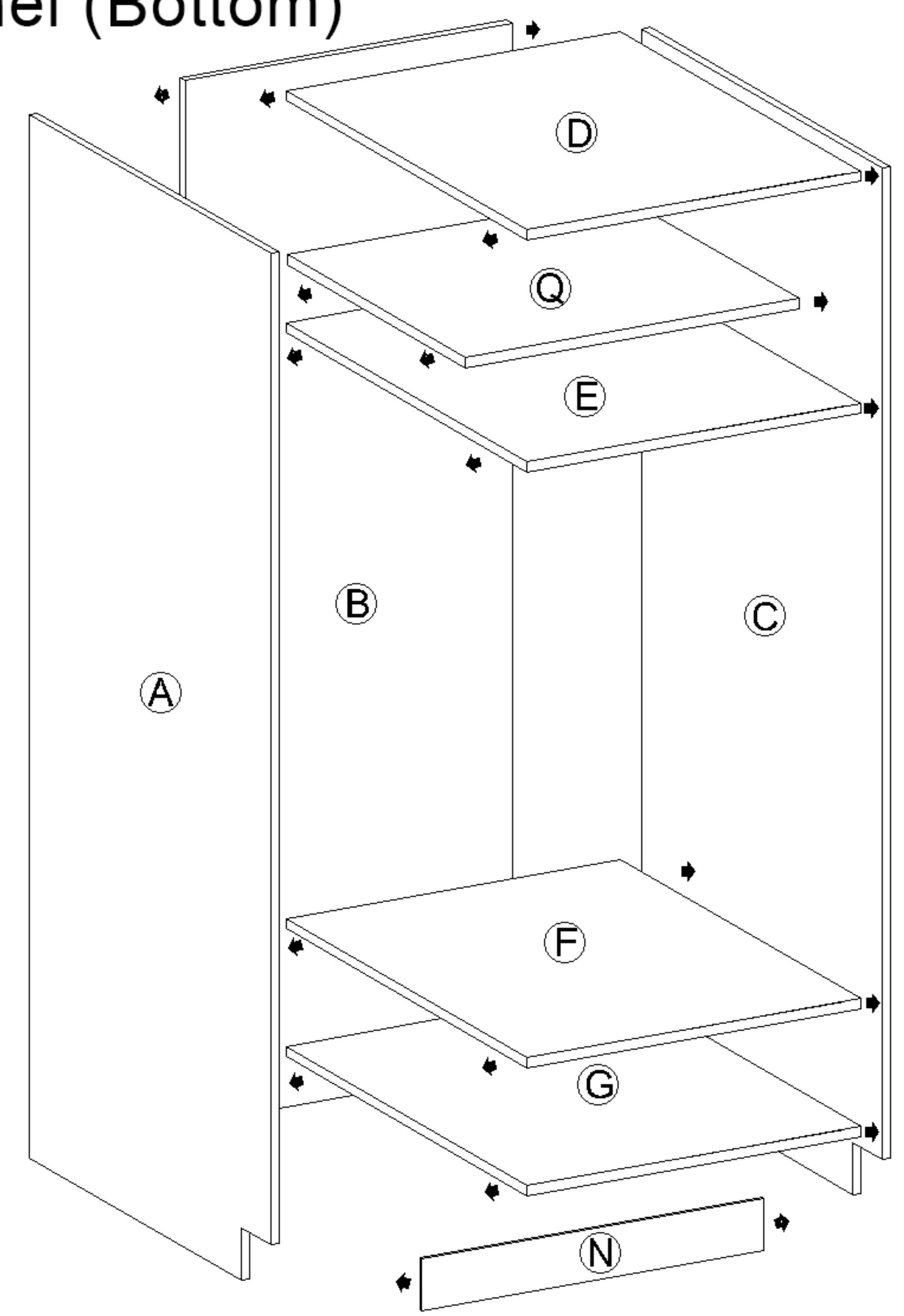
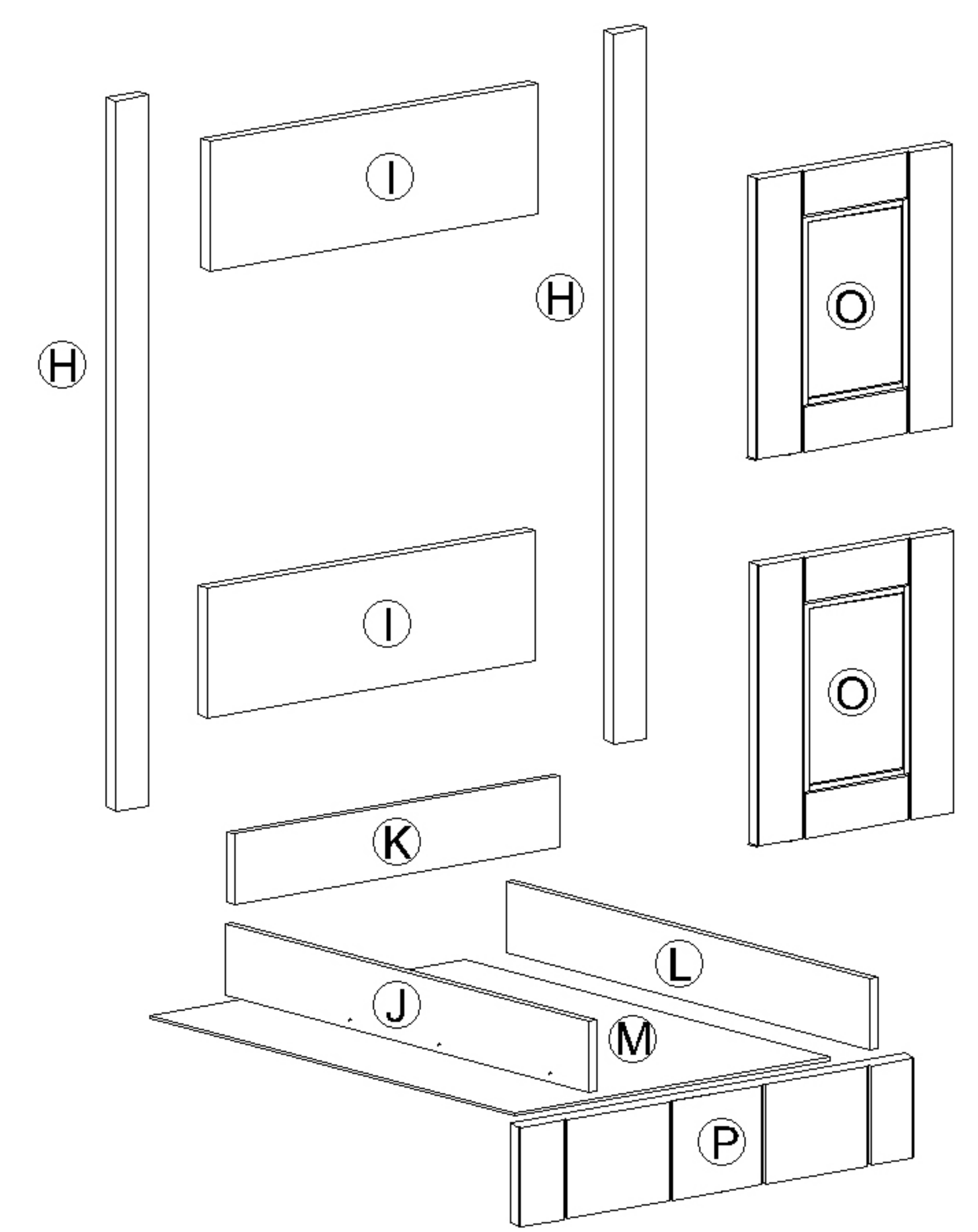
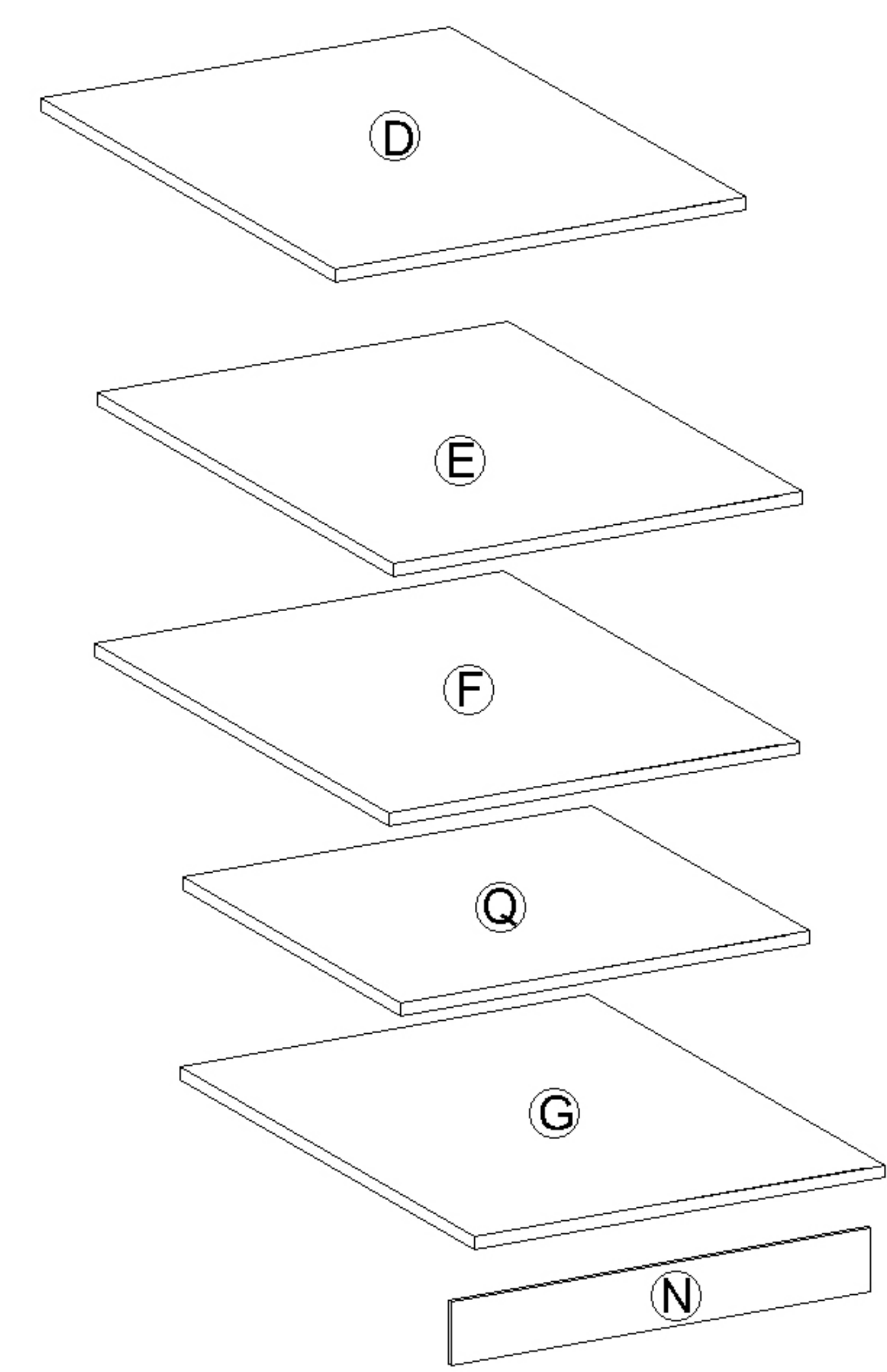
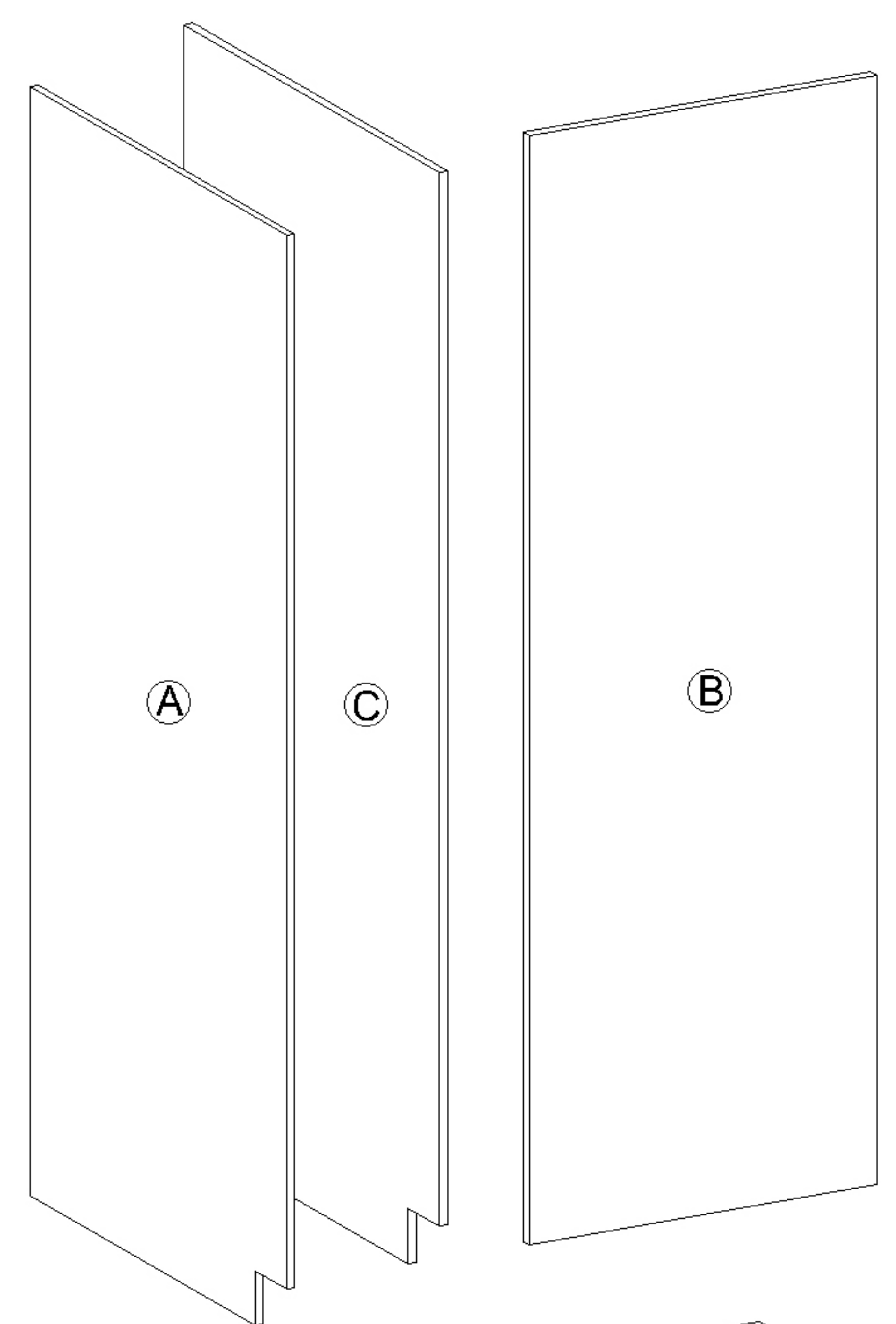
- A: Side Panel (Left)
- B: Back Panel
- C: Side Panel (Right)
- D: Top Support
- E: Bottom Panel
- F: Small Drawer Face
- G: Small Drawer Panel (Left)
- H: Small Drawer Panel (Back)
- I: Small Drawer Panel (Right)
- J: Small Drawer Panel (Bottom)
- K: Large Drawer Face (2pcs)
- L: Large Drawer Panel (Left) (2pcs)
- M: Large Drawer Panel (Back) (2pcs)
- N: Large Drawer Panel (Right) (2pcs)
- O: Large Drawer Panel (Bottom) (2pcs)
- P: Toe Kick



Assembling Instruction For Frameless Double Oven

AVAILABLE TYPE:
 DOC3084 DOC3090 DOC3096

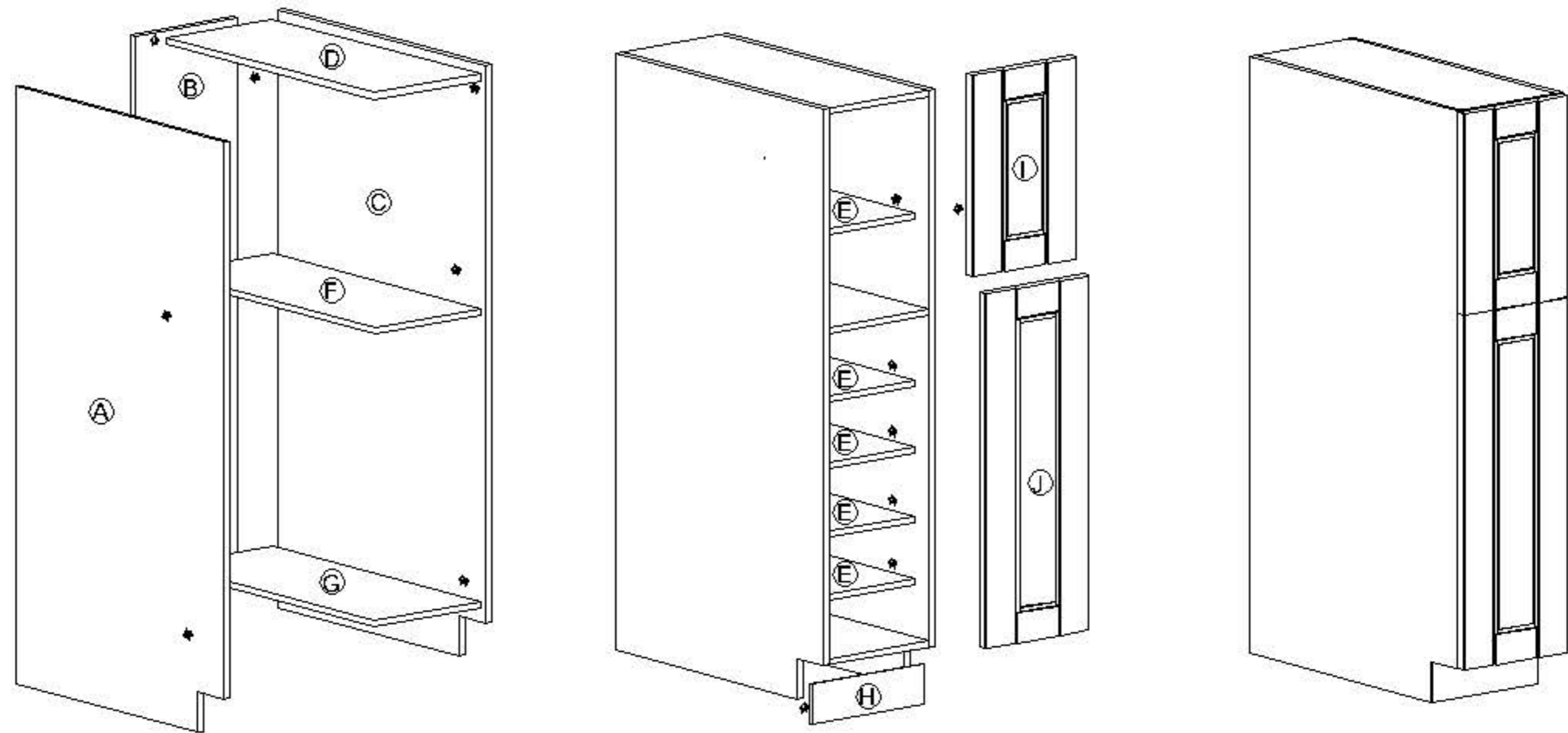
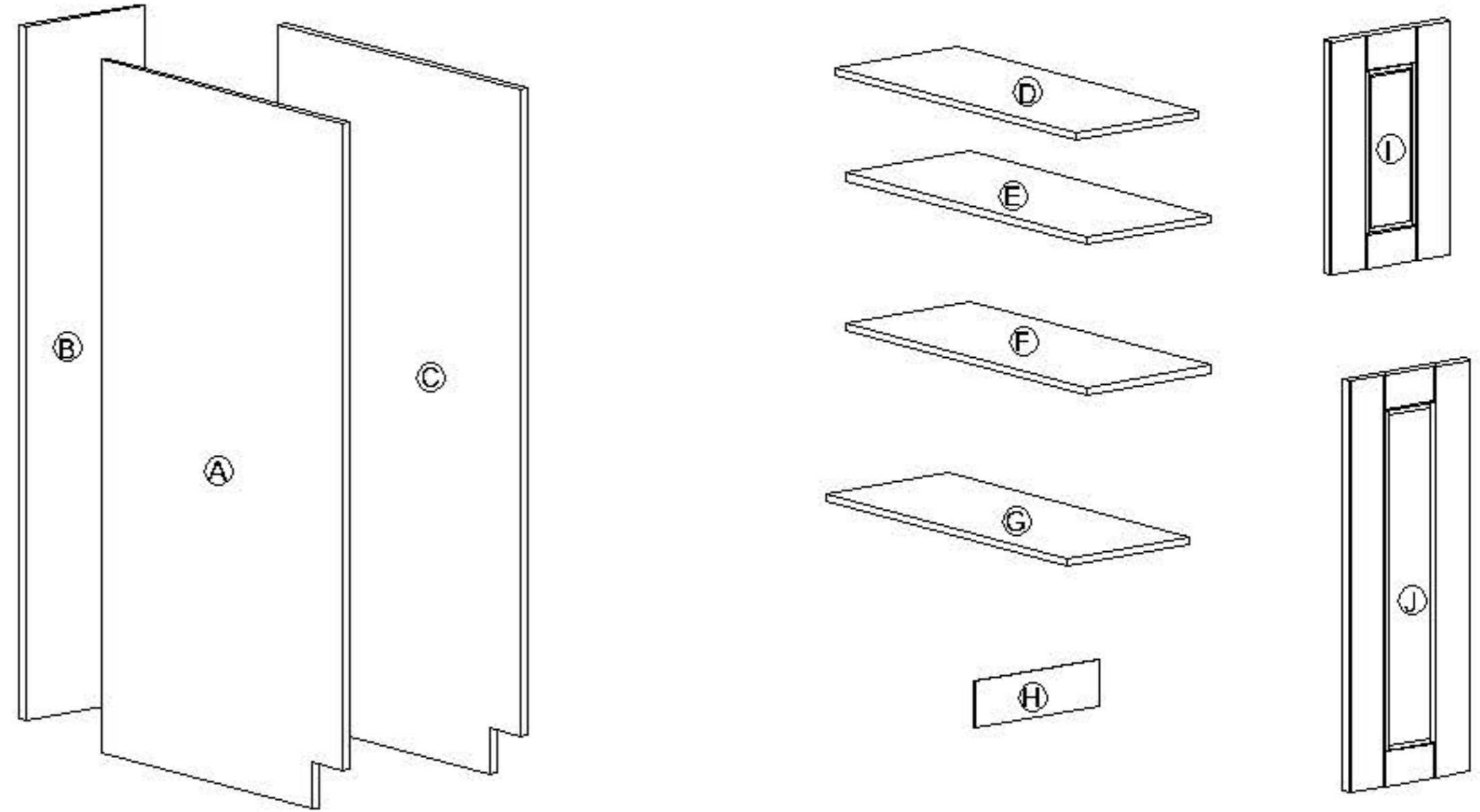
- A: Side Panel (Left)
- B: Back Panel
- C: Side Panel (Right)
- D: Top Panel
- E: Top Section Bottom Panel
- F: Oven Support Shelf
- G: Bottom Panel
- H: Vertical Trim (2pcs)
- I: Horizontal Trim (2pcs)
- J: Drawer Box Panel (Left)
- K: Drawer Box Panel (Back)
- L: Drawer Box Panel (Right)
- M: Drawer Box Panel (Bottom)
- N: Toe Kick
- O: Doors (2pcs)
- P: Drawer Face
- Q: Shelf



Assembling Instruction For Frameless Pantry Cabinet

AVAILABLE TYPE: PC1884 PC1890 PC1890

- A: Side Panel (Left)
- B: Back Panel
- C: Side Panel (Right)
- D: Top Panel
- E: Shelf (Adjustable Height)
- F: Middle Panel
- G: Bottom Panel
- H: Toe Kick
- I: Top Door
- J: Bottom Door



Note: 84" and 90" tall cabinets come with 1 shelf for top section
96" tall cabinet comes with 2 shelves for top section
All size has 4 shelves in bottom section

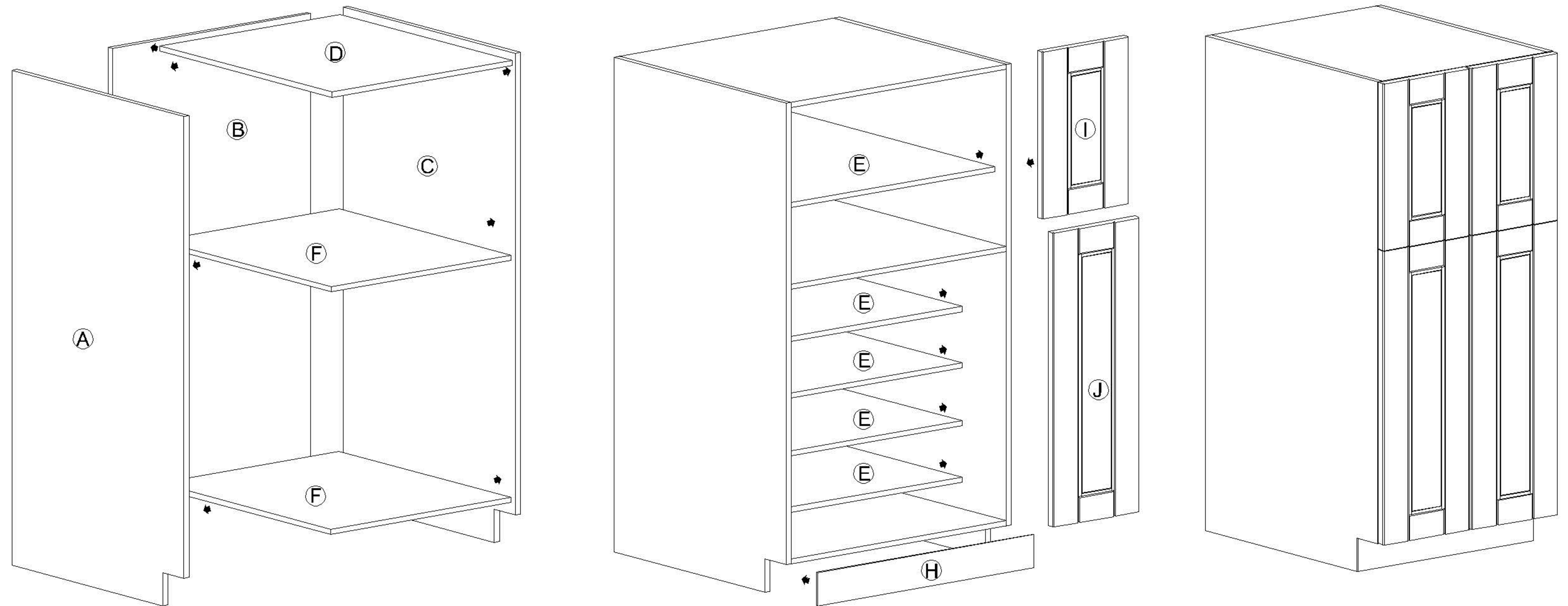
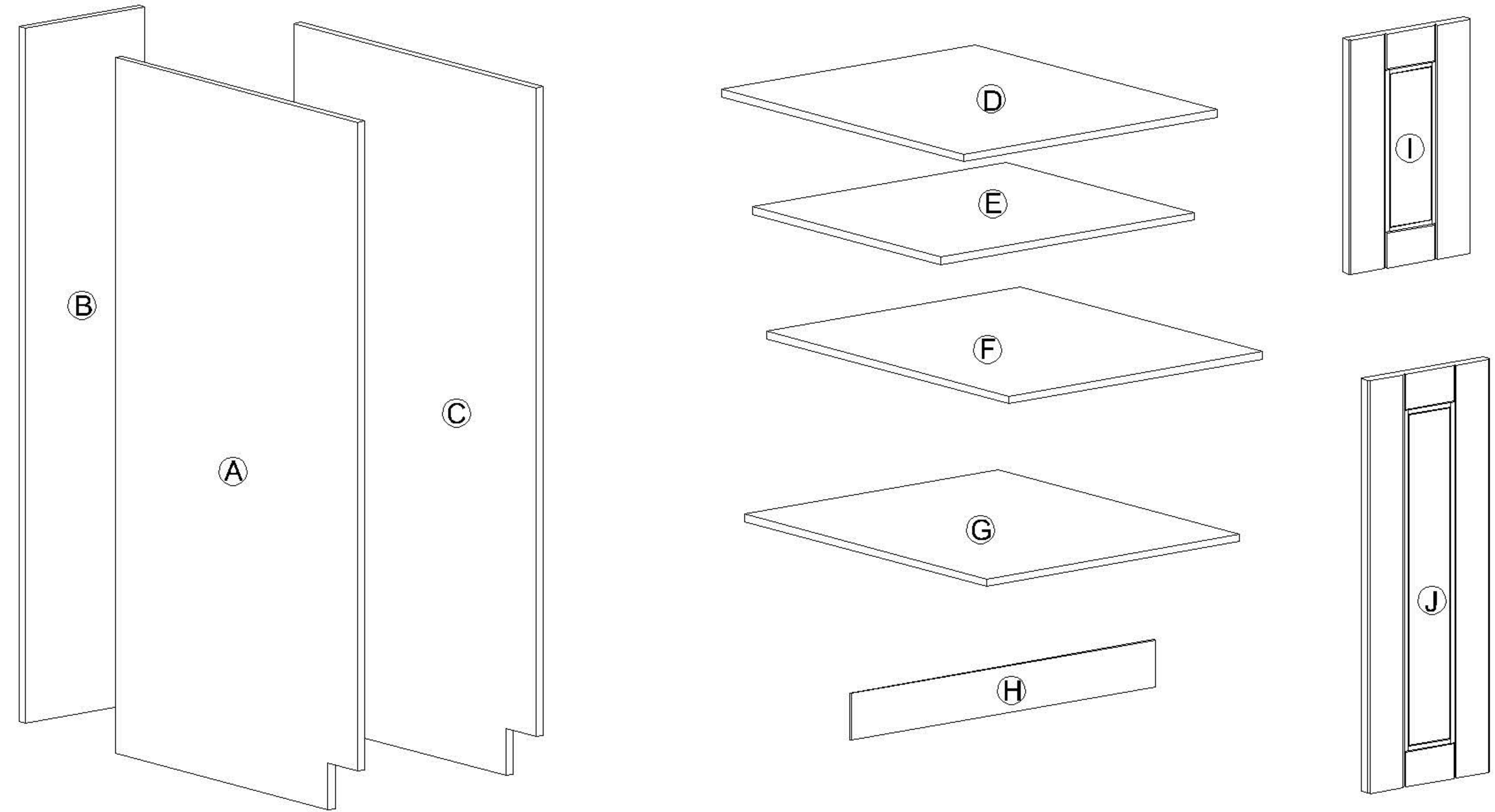
Assembling Instruction For Frameless Pantry Cabinet

AVAILABLE TYPE:

PC2484 PC2490 PC2496

PC3084 PC3090 PC3096

- A: Side Panel (Left)
- B: Back Panel
- C: Side Panel (Right)
- D: Top Panel
- E: Shelf (Adjustable Height)
- F: Middle Support Panel
- G: Bottom Panel
- H: Toe Kick
- I: Top Doors (2pcs)
- J: Bottom Door (2pcs)

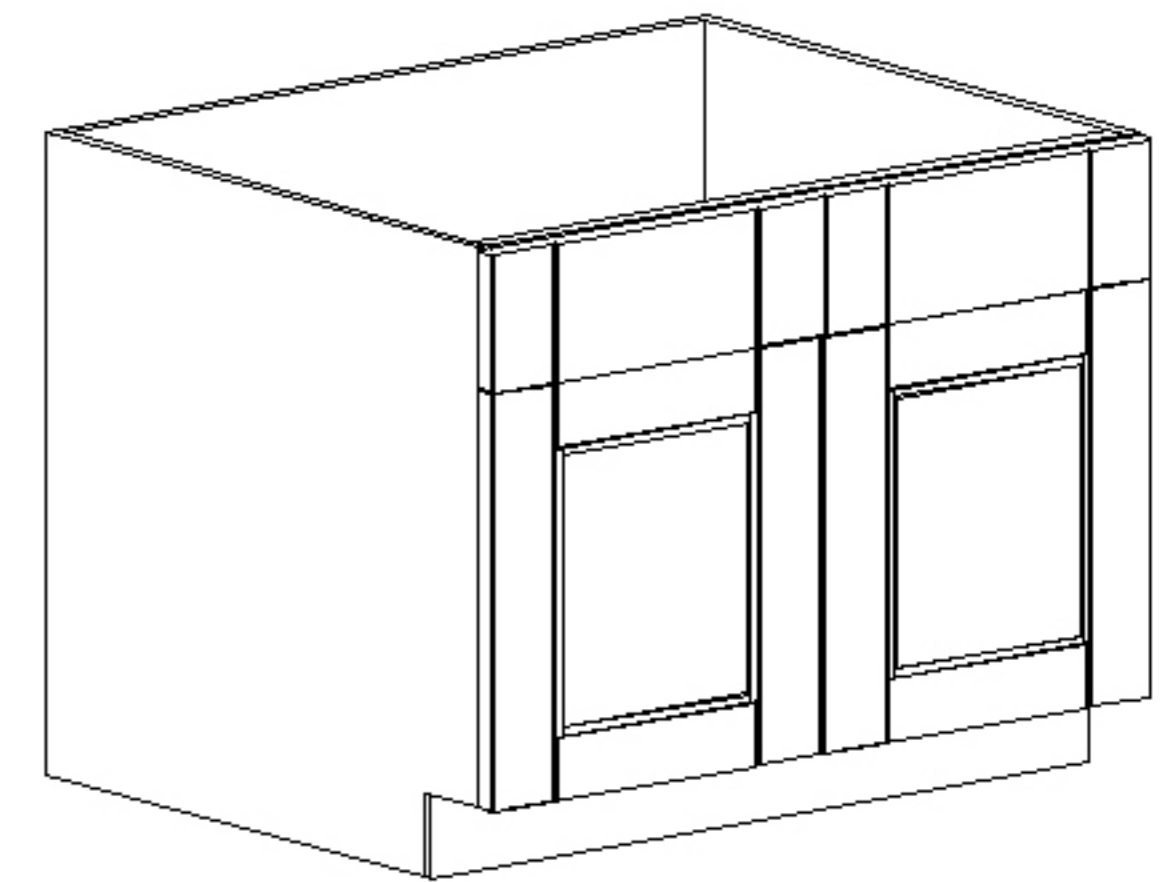
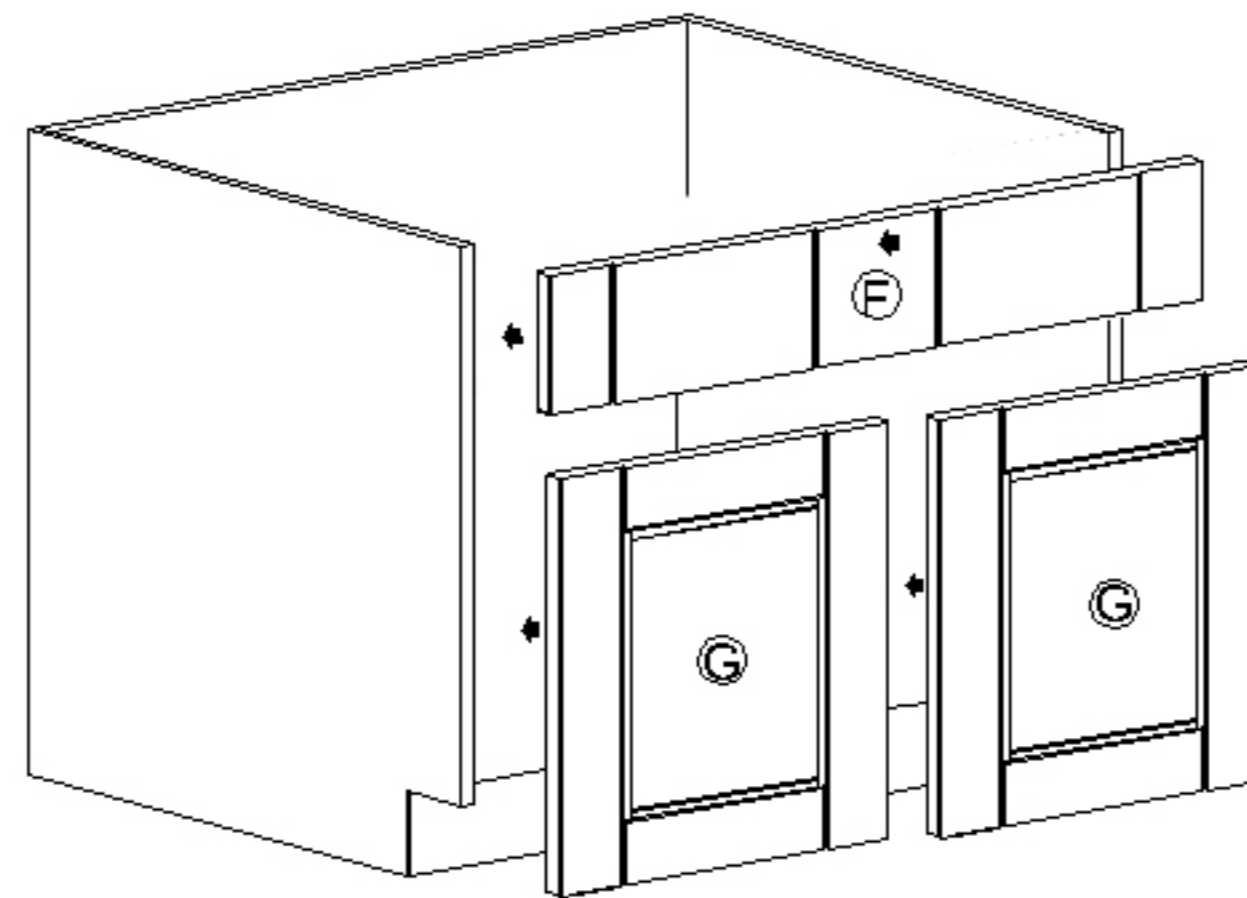
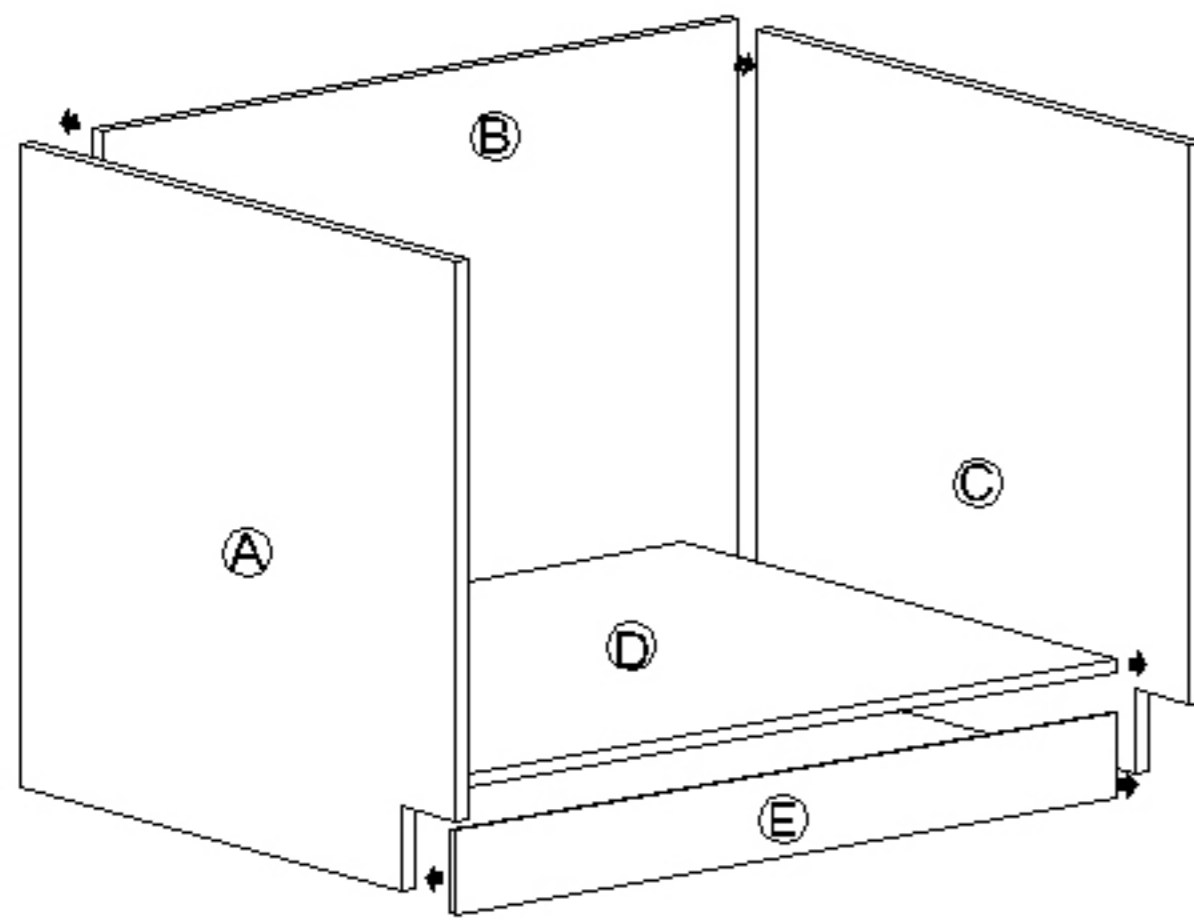
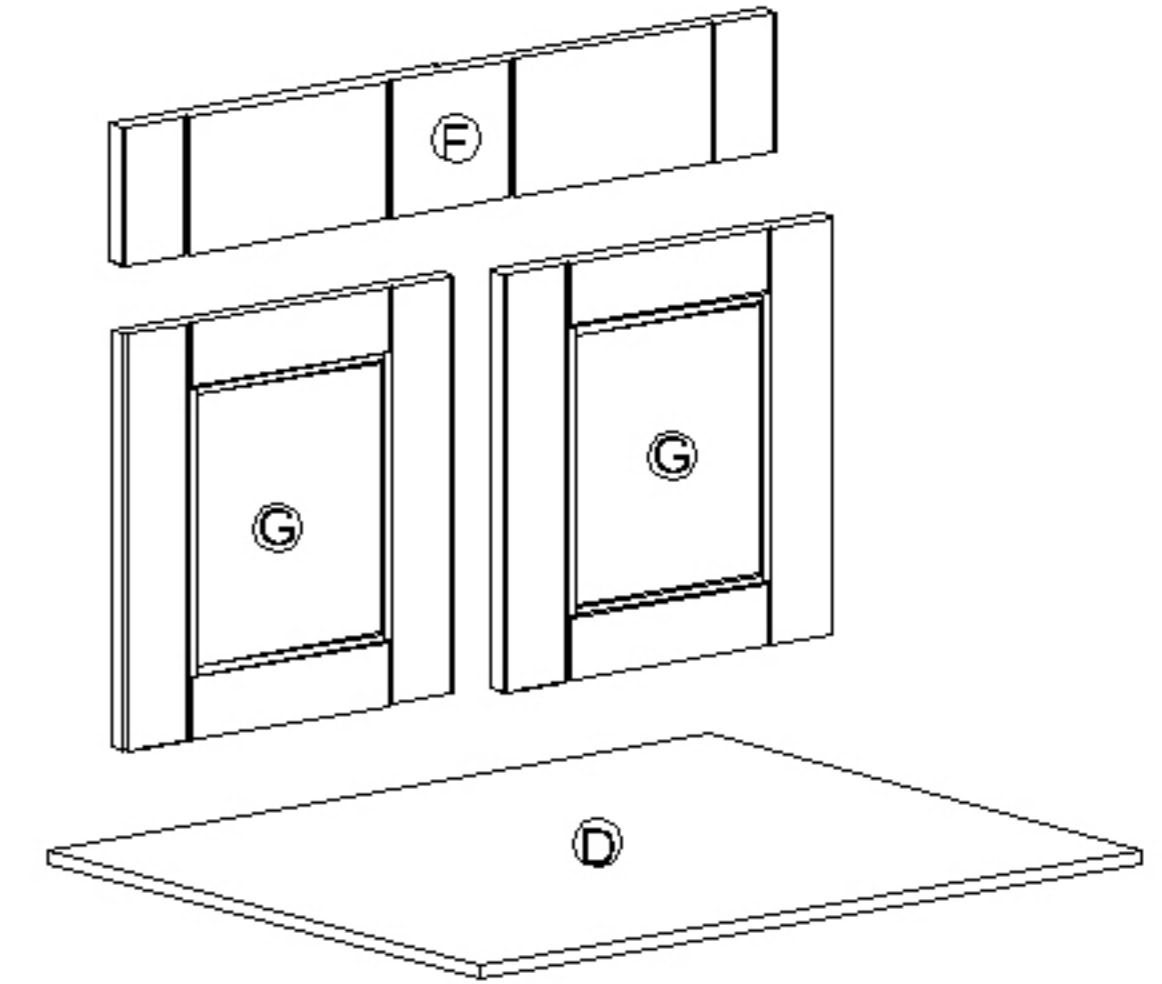
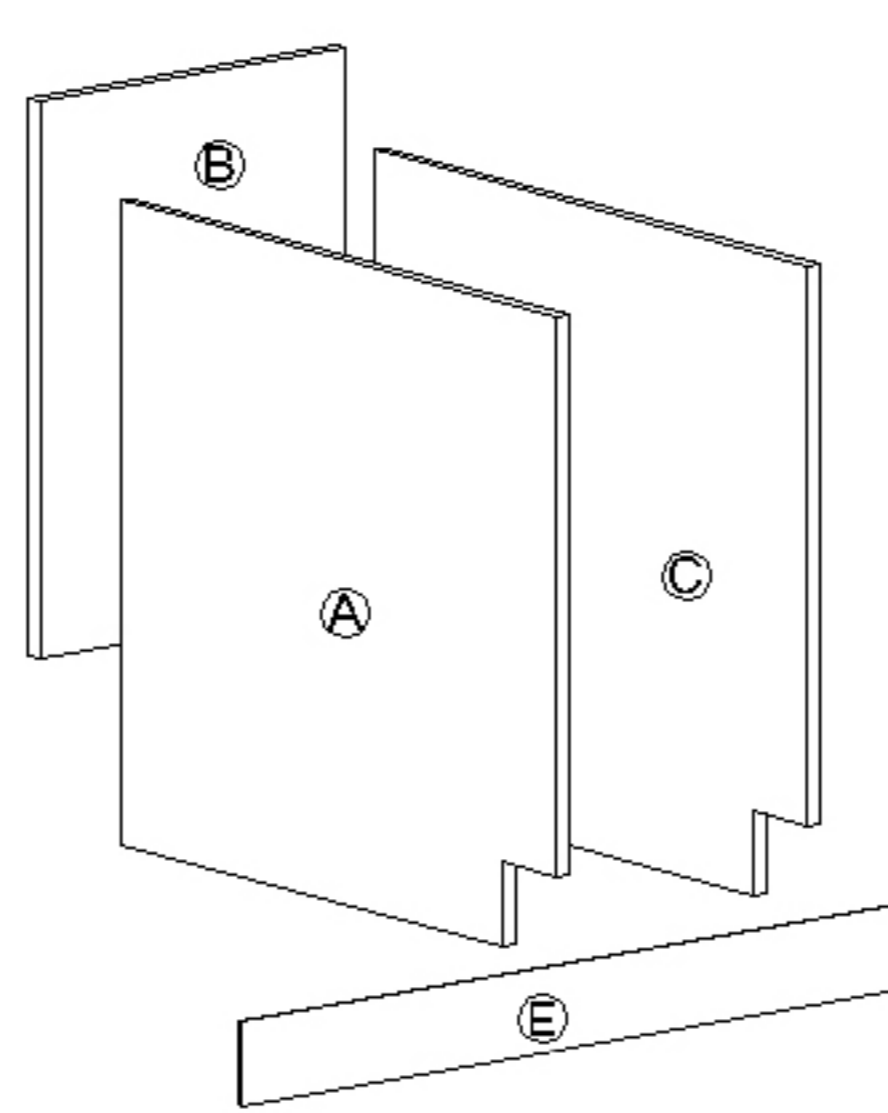


Note: 84" and 90" tall cabinets come with 1 shelf for top section
96" tall cabinet comes with 2 shelves for top section
All size has 4 shelves in bottom section

Assembling Instruction For Frameless Wall Sinkbase Cabinet

AVAILABLE TYPE: SB24 SB27 SB30 SB33 SB36 SB39 SB42

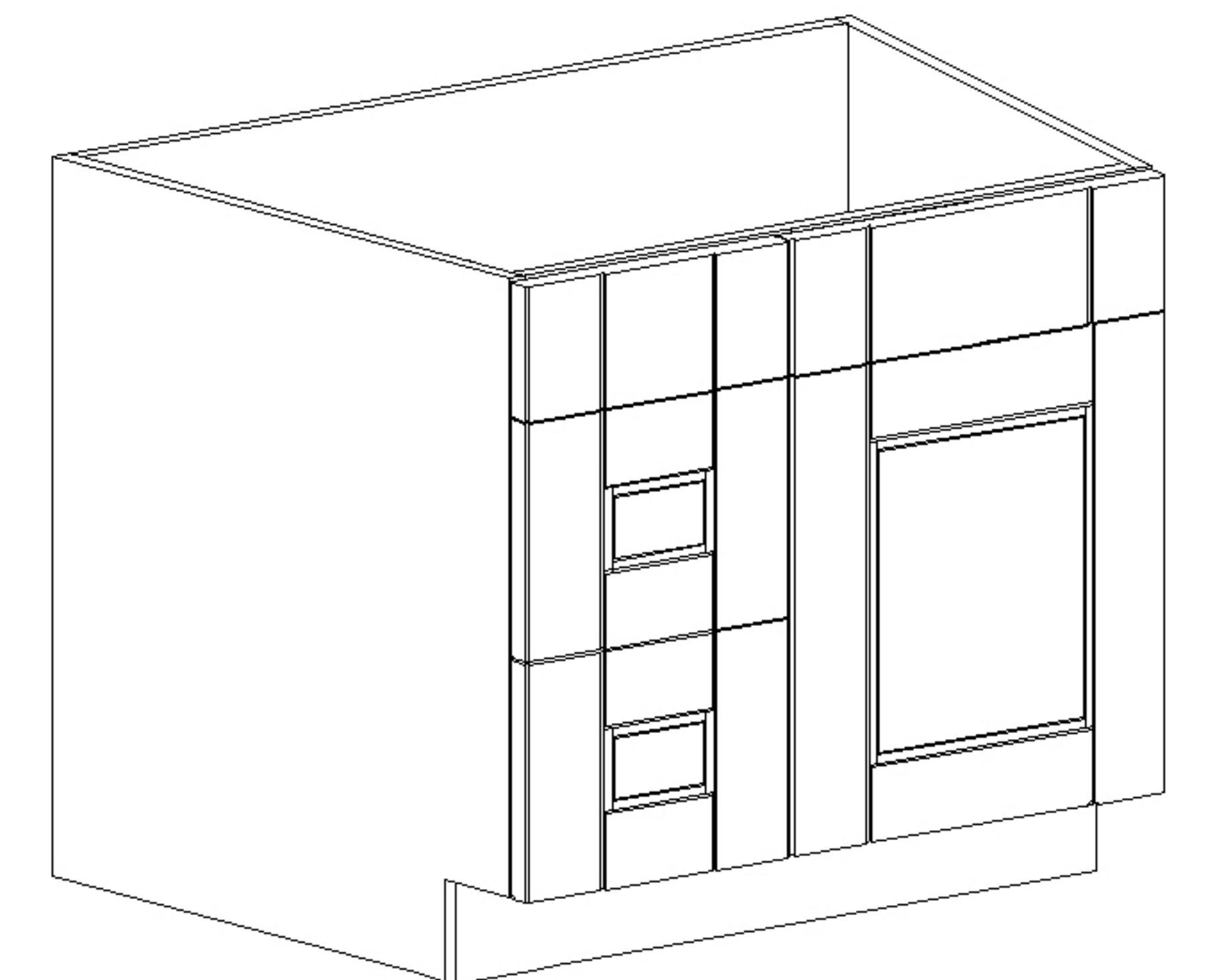
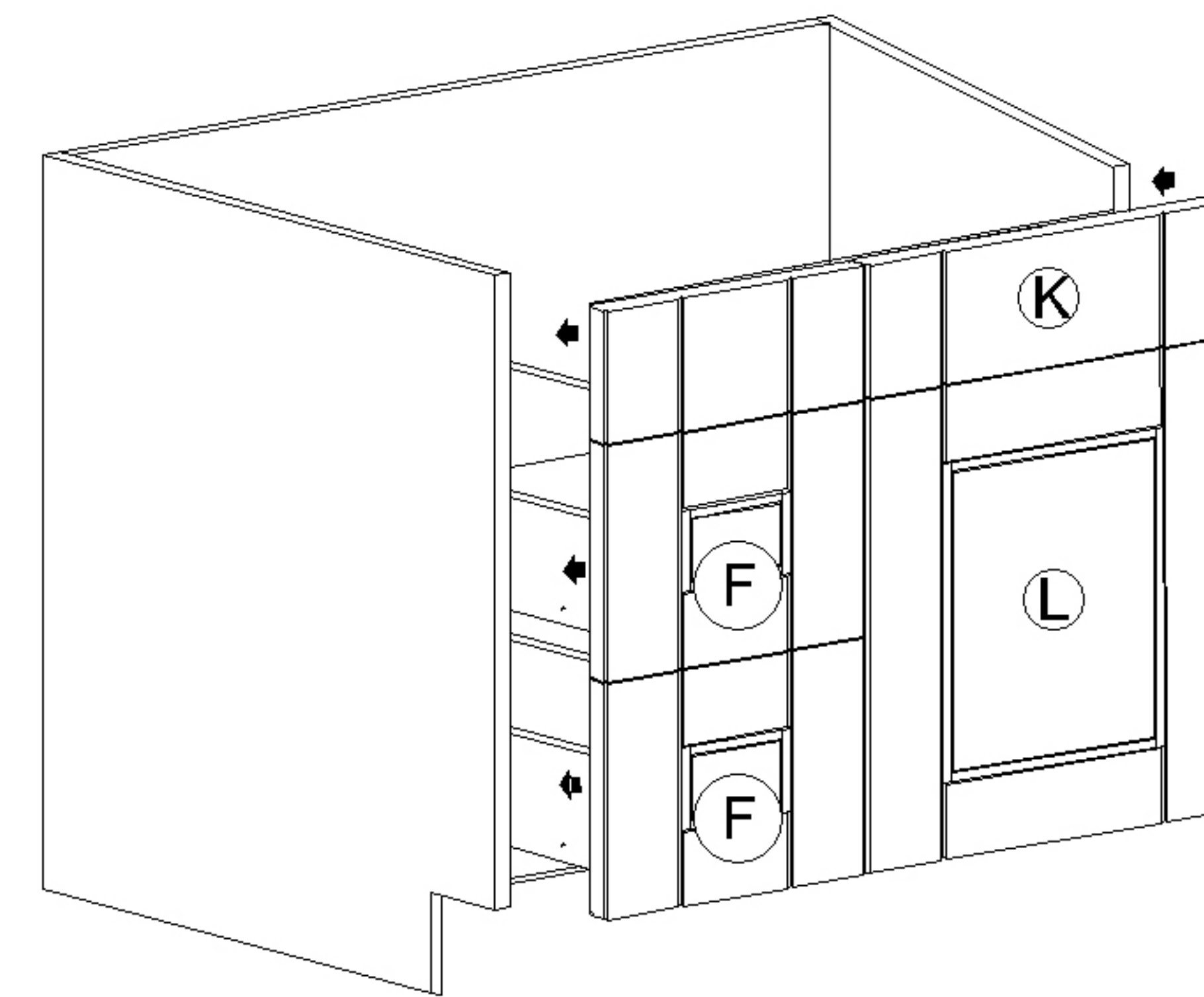
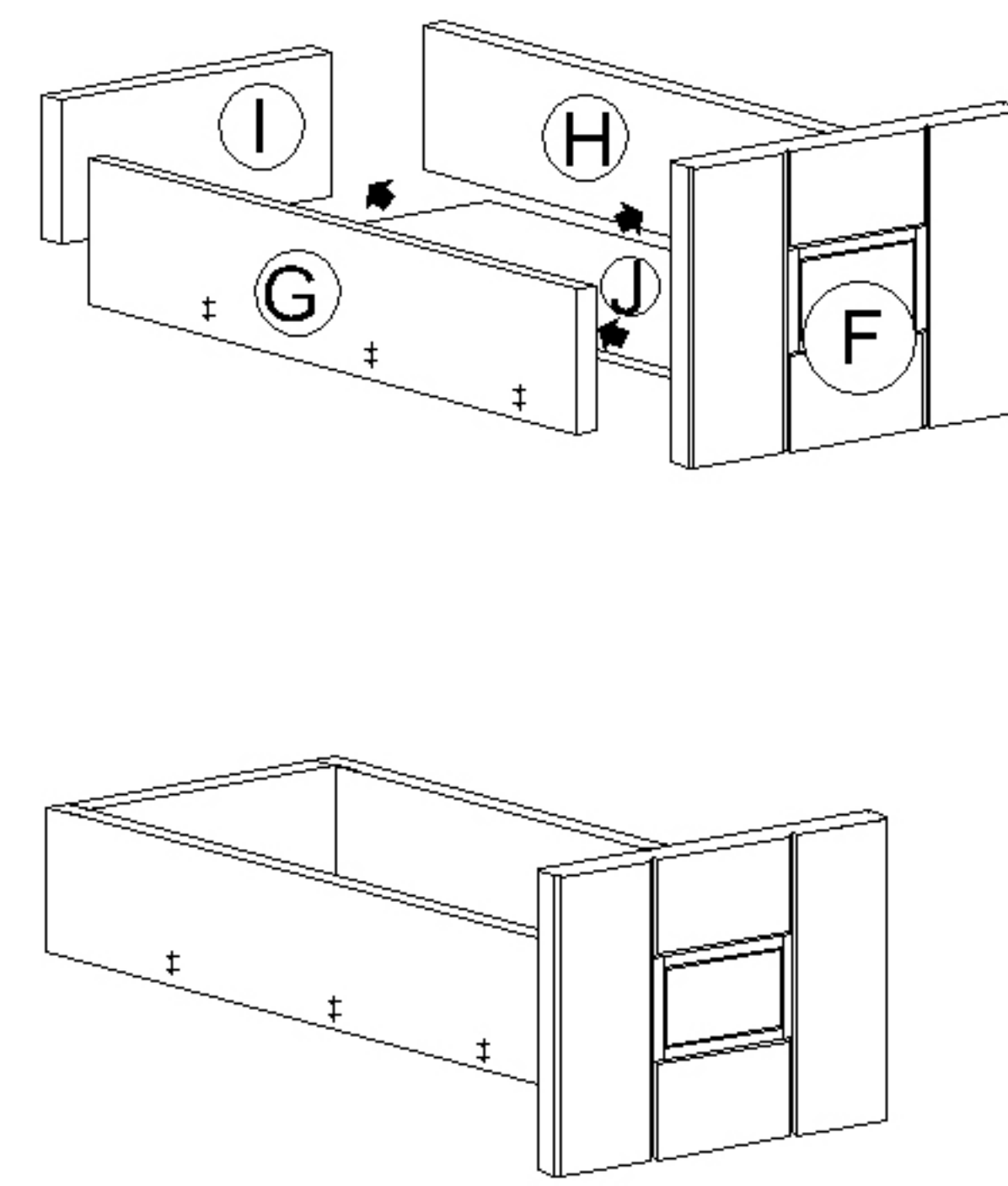
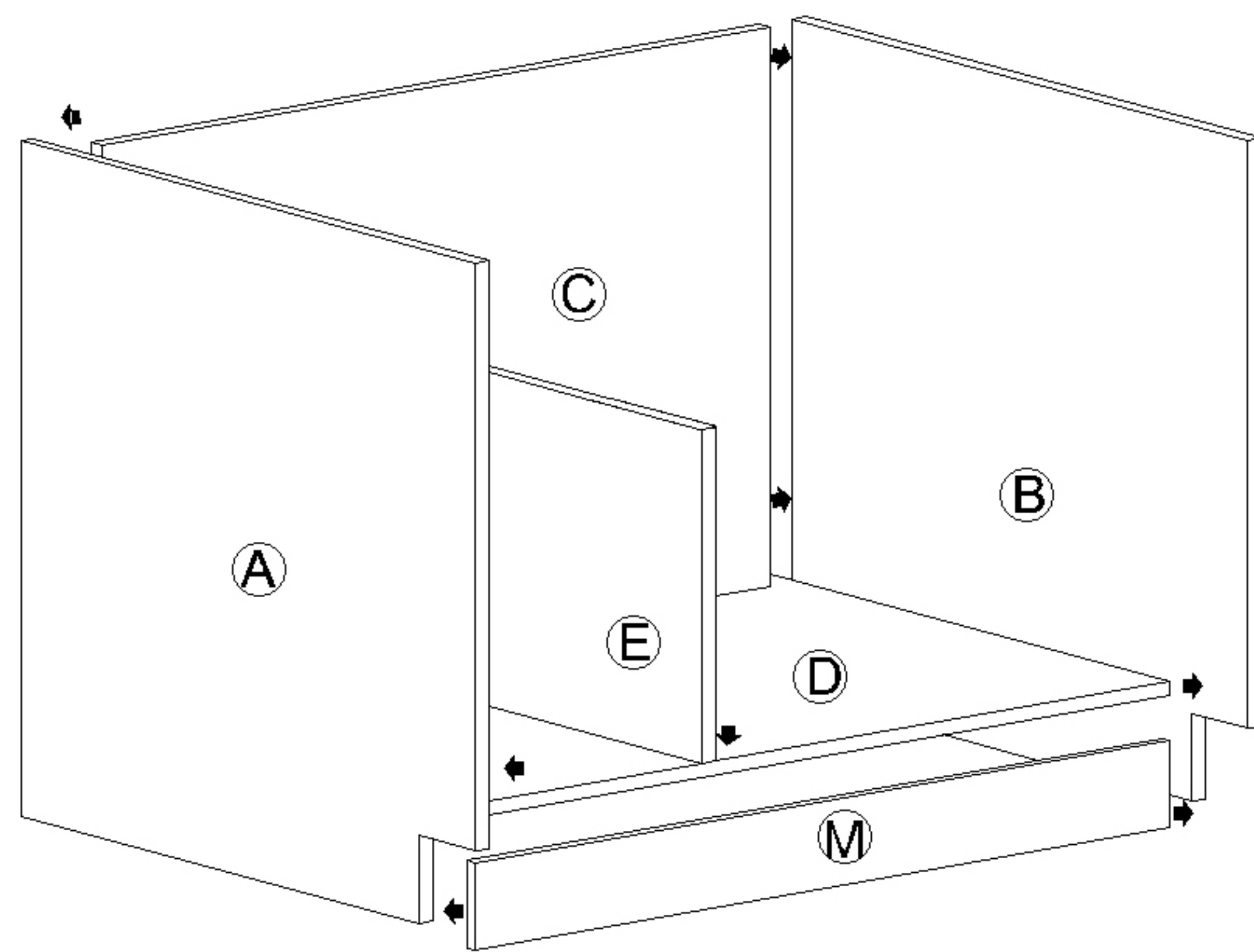
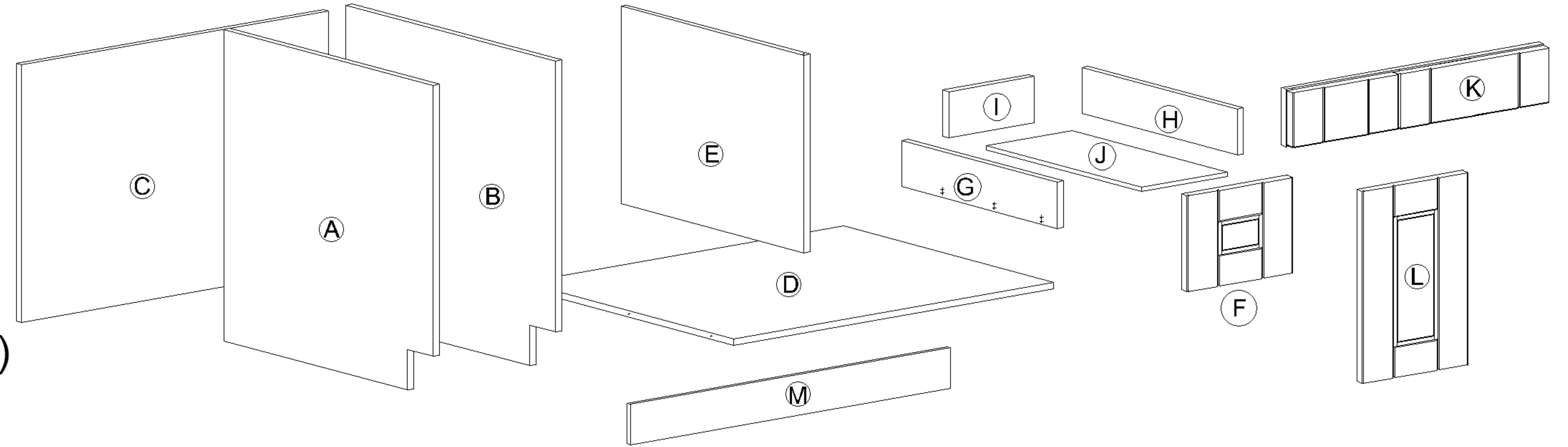
- A: Side Panel (Left)
- B: Back Panel
- C: Side Panel (Right)
- D: Bottom Panel
- E: Toe Kick
- F: False Drawer Face
- G: Door



Assembling Instruction For Frameless Vanity Sink Drawer

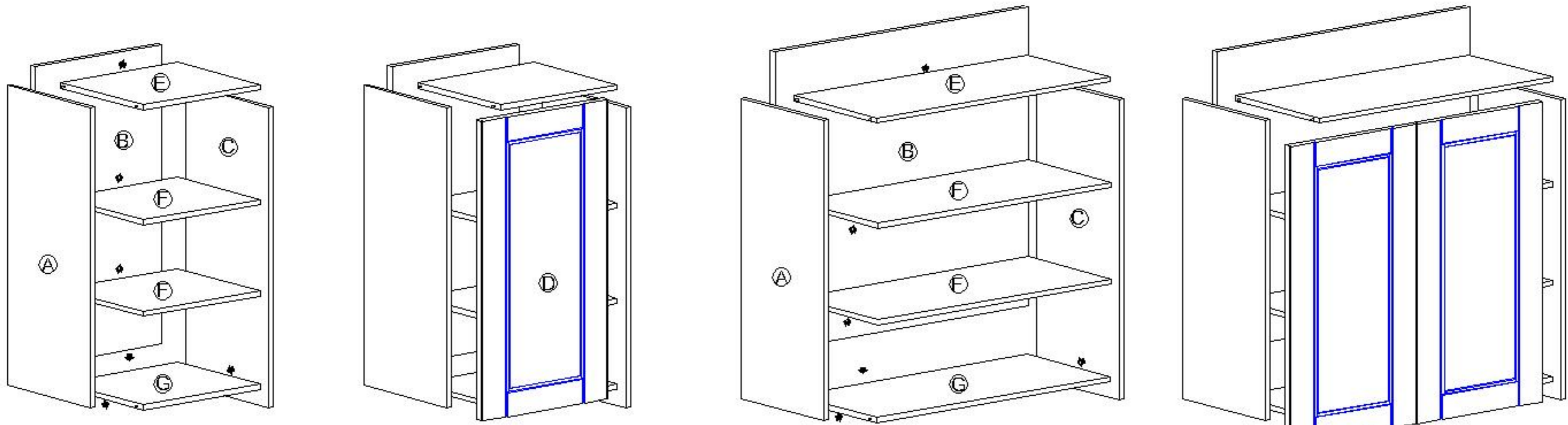
AVAILABLE TYPE: VSD30L/R

- A: Side Panel (Left)
- B: Side Panel (Right)
- C: Back Panel
- D: Bottom Panel
- E: Middle Panel
- F: Drawer Face (2pcs)
- G: Drawer Box Panel (Left) (2pcs)
- H: Drawer Box Panel (Right) (2pcs)
- I: Drawer Box Panel (Back) (2pcs)
- J: Drawer Box Panel (Bottom) (2pcs)
- K: False Drawe Front
- L: Door
- M: Toe Kick



Note: VSD30L Shown In Picture

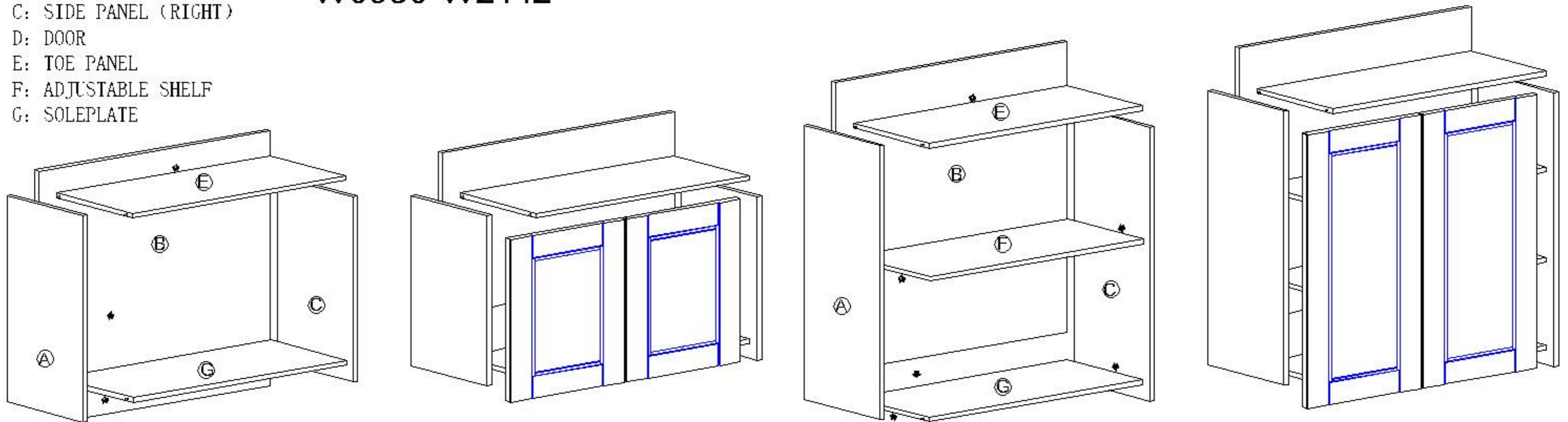
Assembling instruction of wall cabinet



- A: SIDE PANEL (LEFT)
- B: BACK PANEL
- C: SIDE PANEL (RIGHT)
- D: DOOR
- E: TOE PANEL
- F: ADJUSTABLE SHELF
- G: SOLEPLATE

**AVAILABLE TYPE:
W0930-W2142**

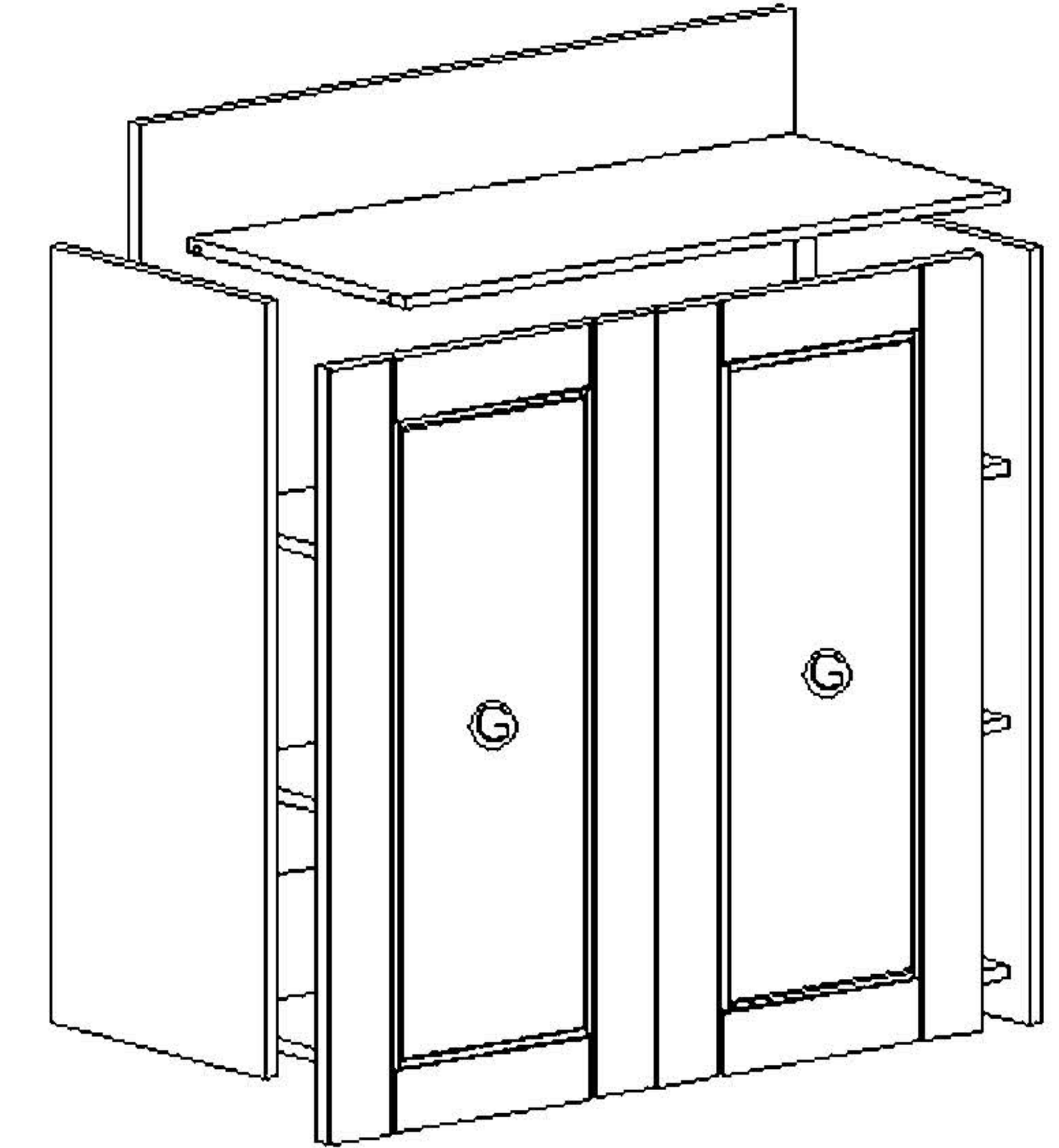
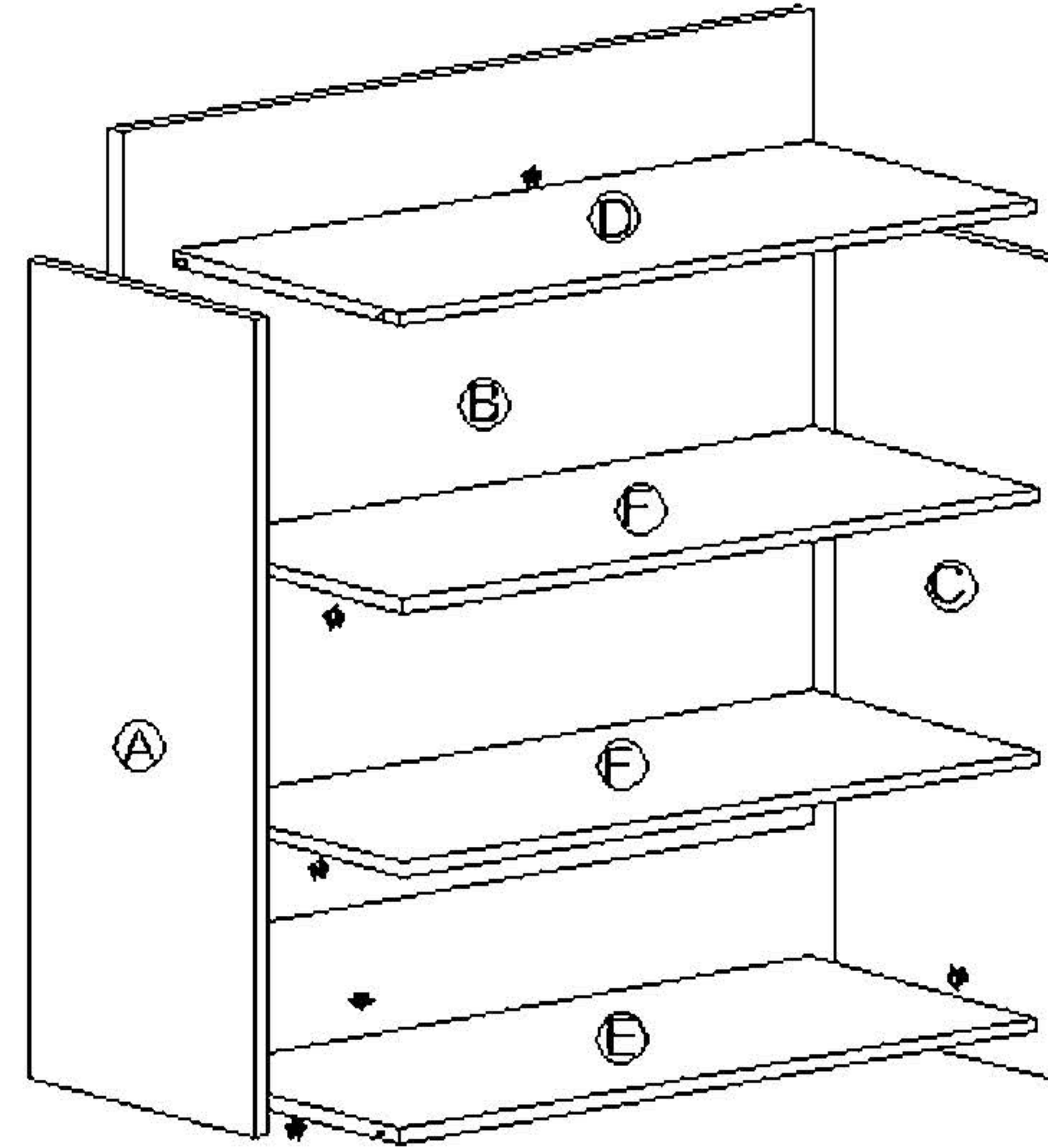
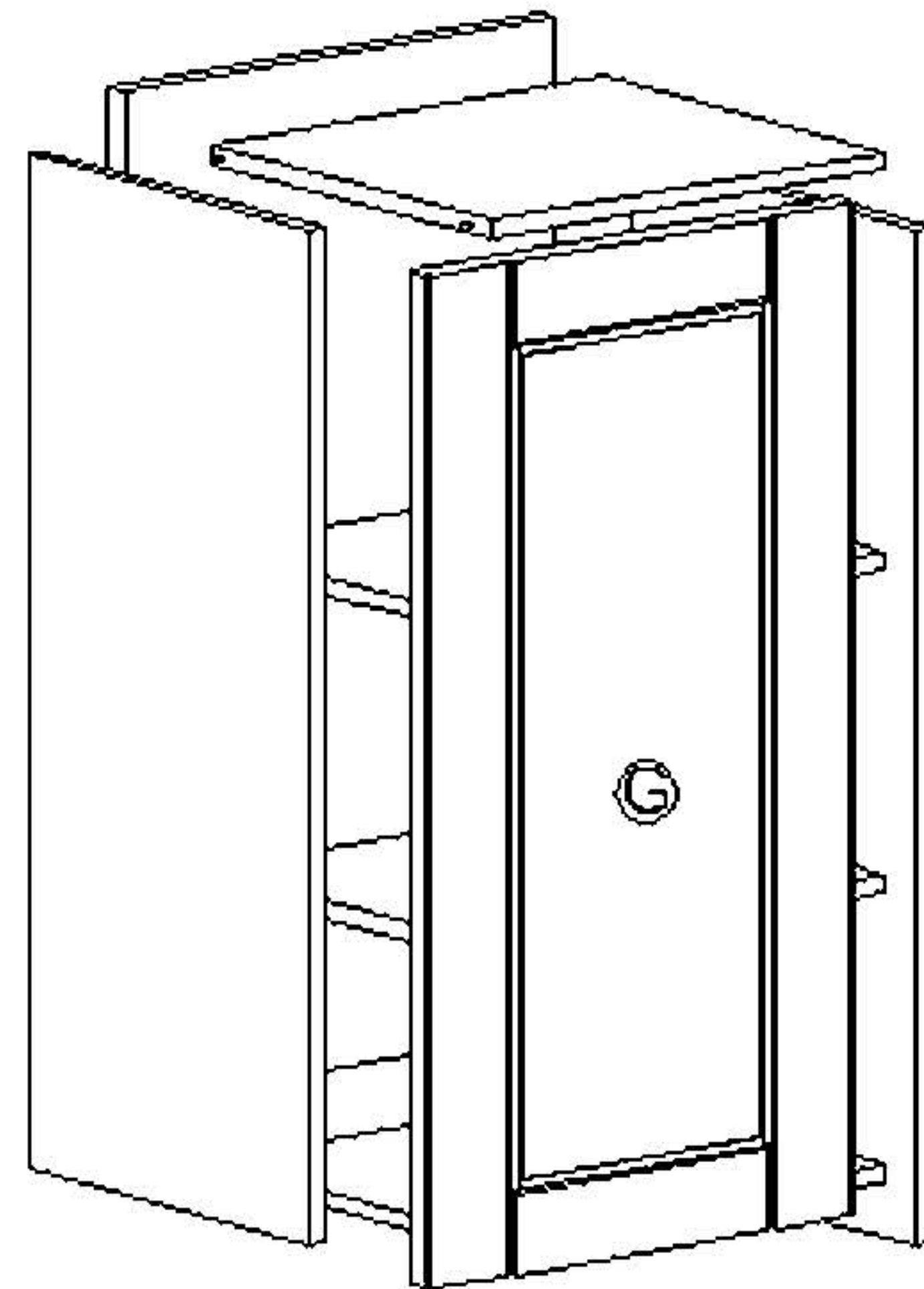
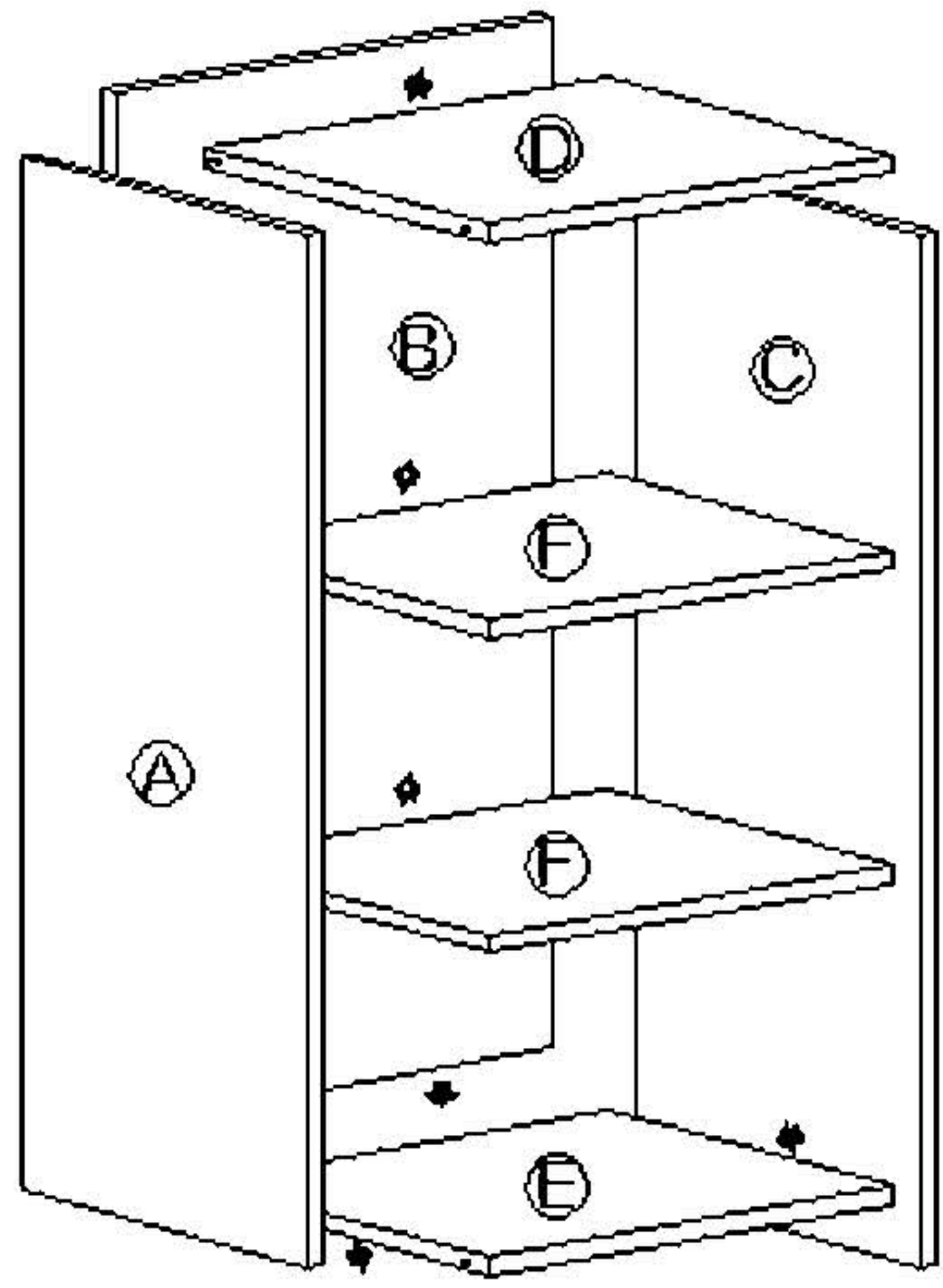
**AVAILABLE TYPE:
W2430-W4242**



**AVAILABLE TYPE:
W3012-W3618**

**AVAILABLE TYPE:
W3021-W3627**

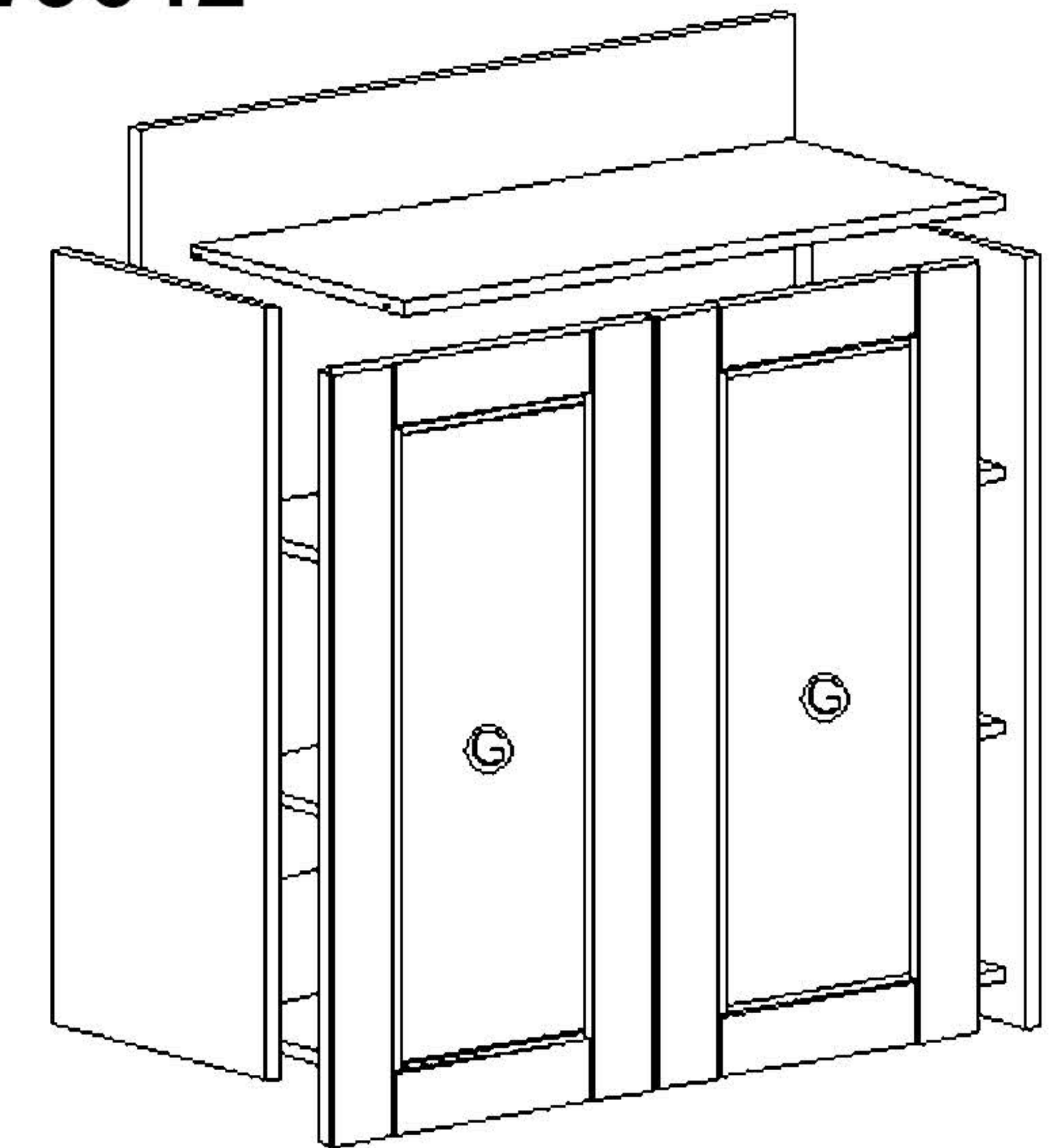
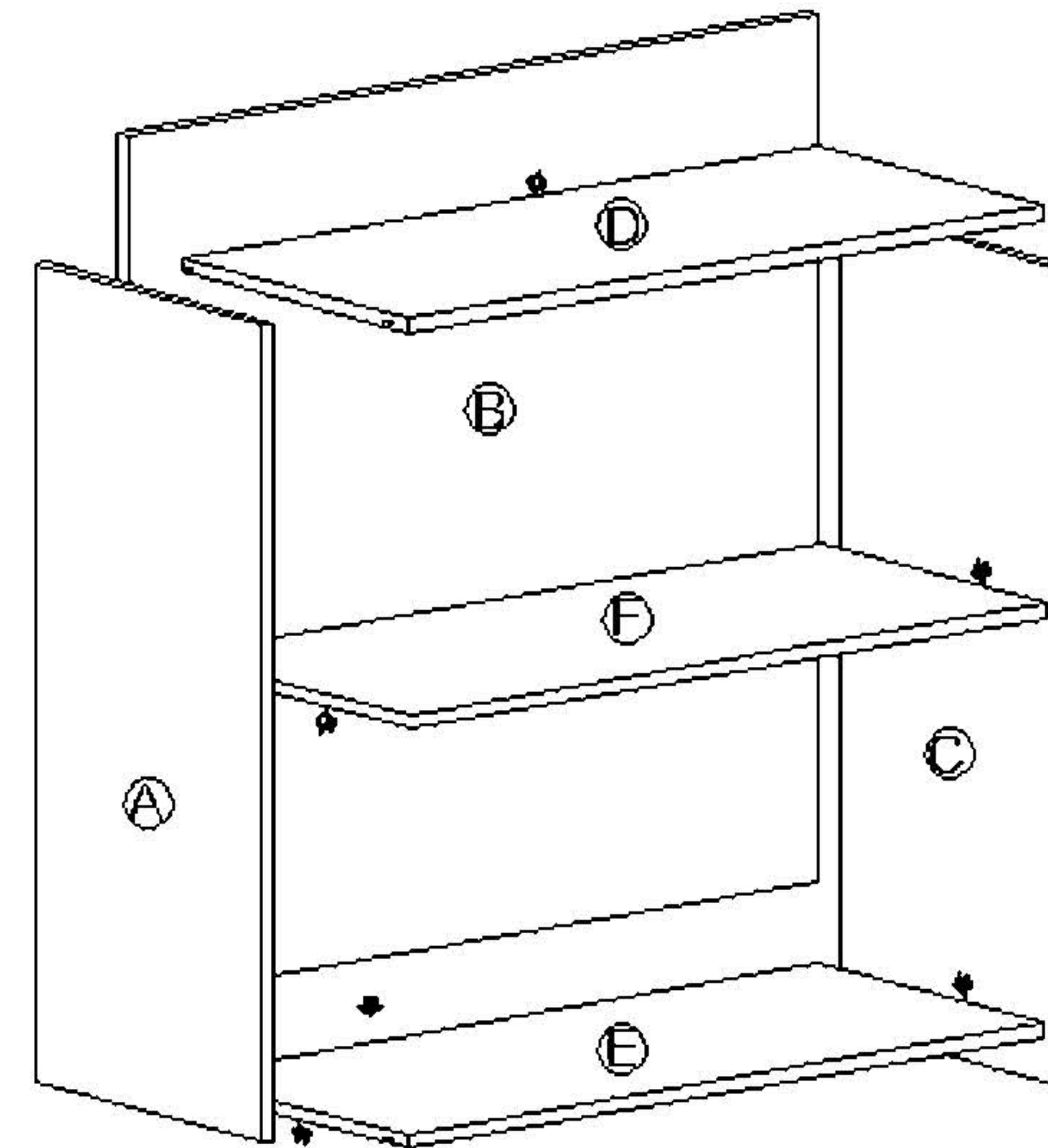
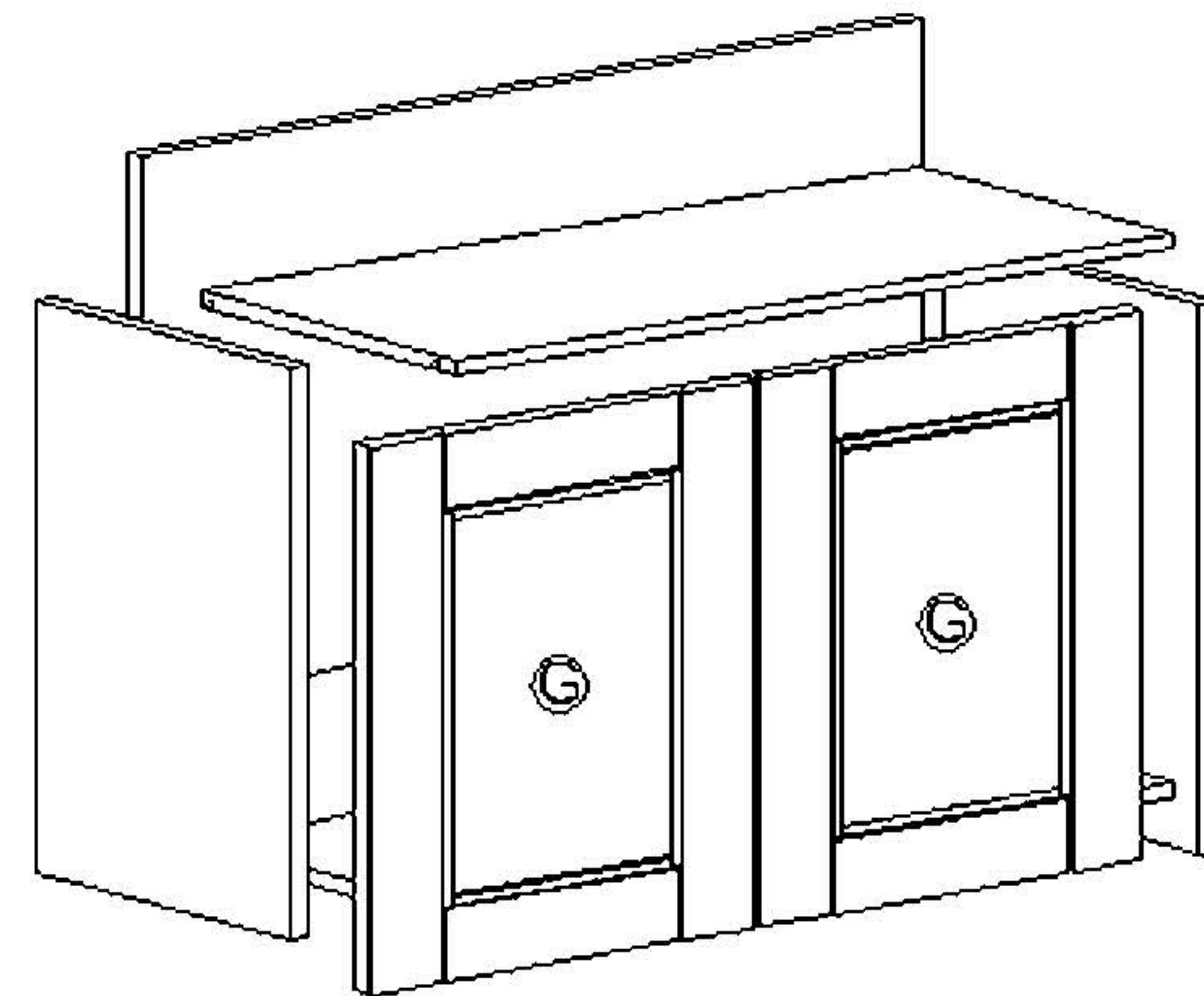
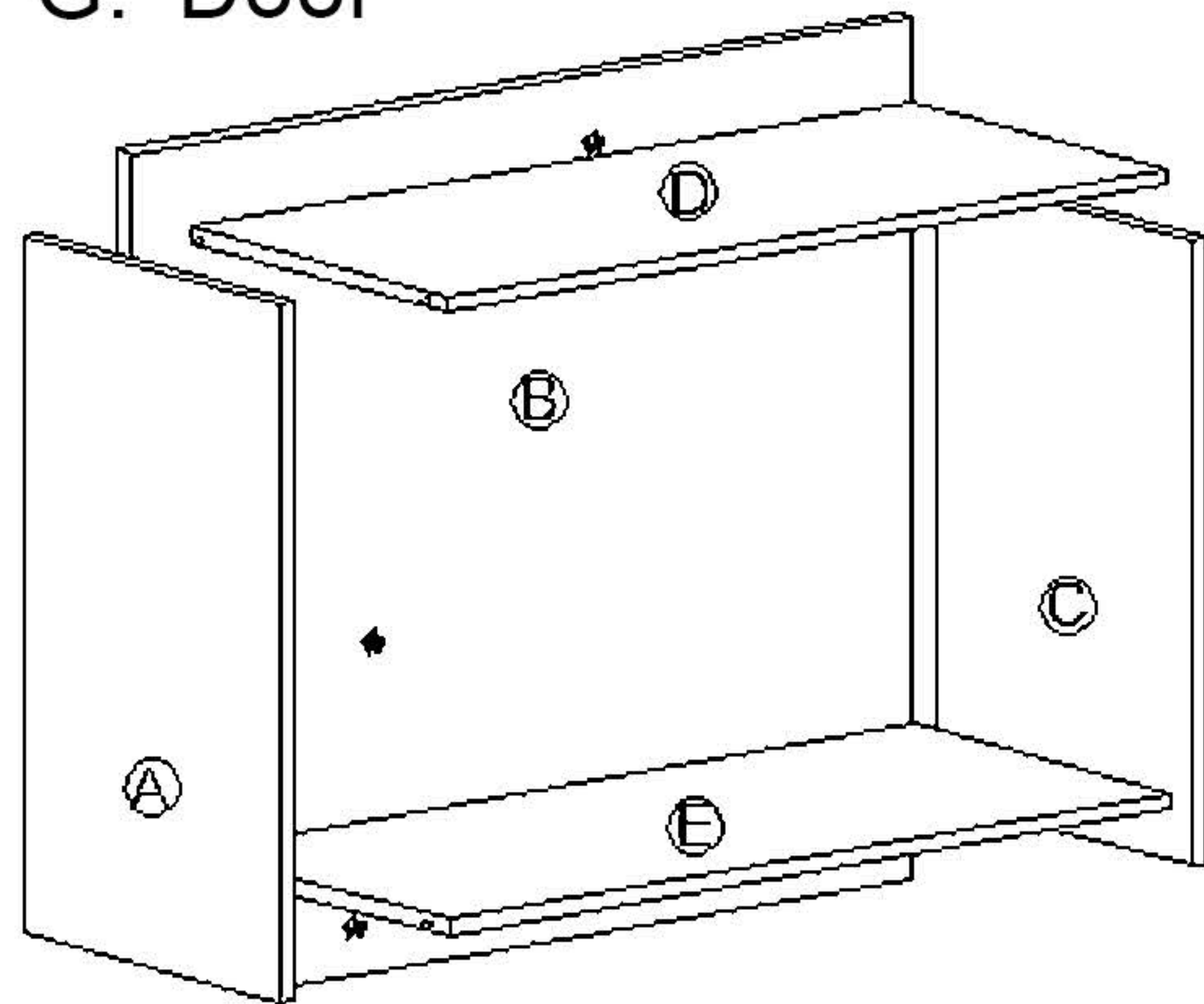
Assembling Instruction For Frameless Wall Cabinet



- A: Side Panel (Left)
- B: Back Panel
- C: Side Panel (Right)
- D: Top Panel
- E: Bottom Panel
- F: Shelf (Adjustable Height)
- G: Door

**AVAILABLE TYPE:
W0930 - W2142**

**AVAILABLE TYPE:
W2430 - W3642**



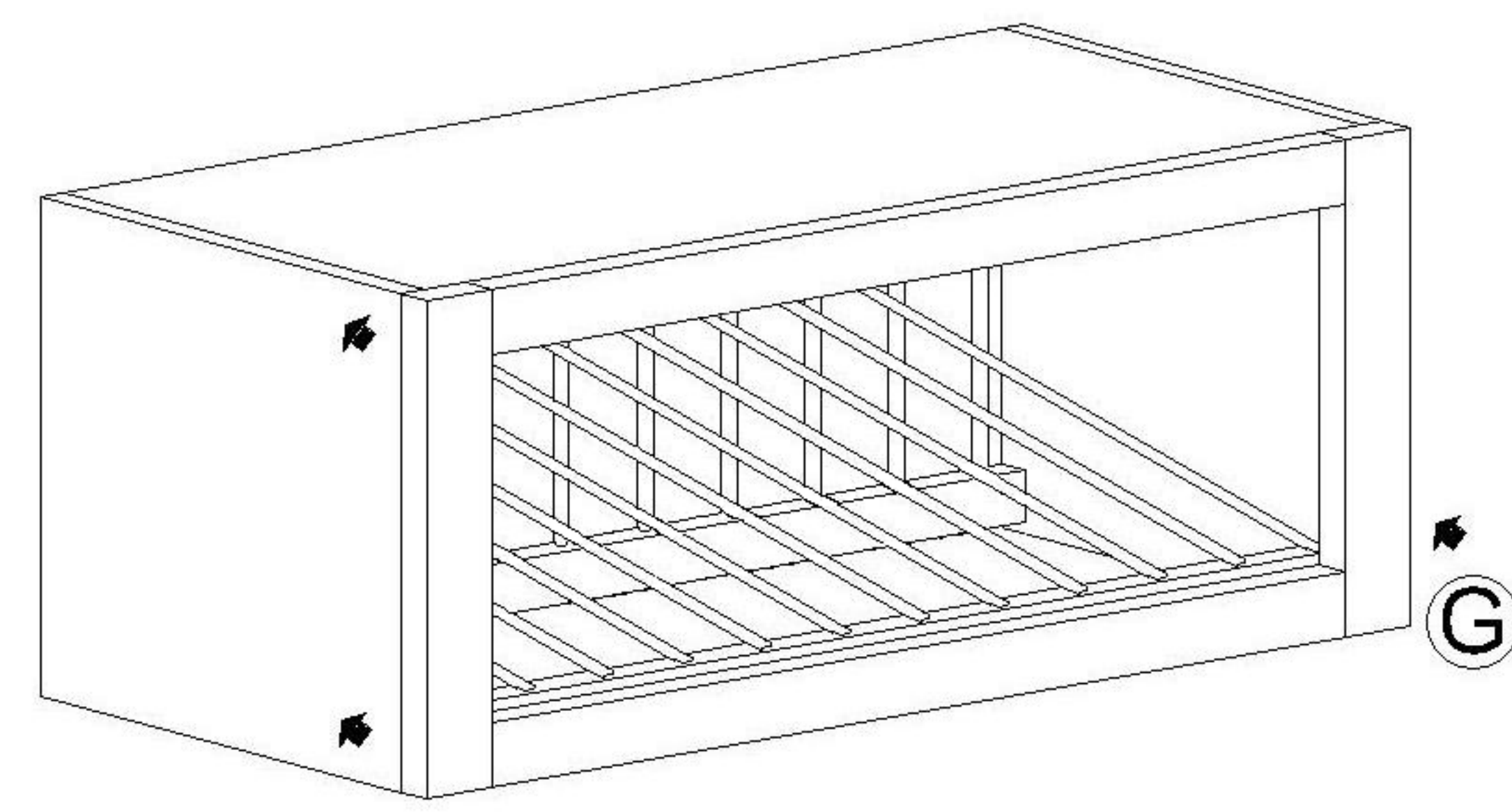
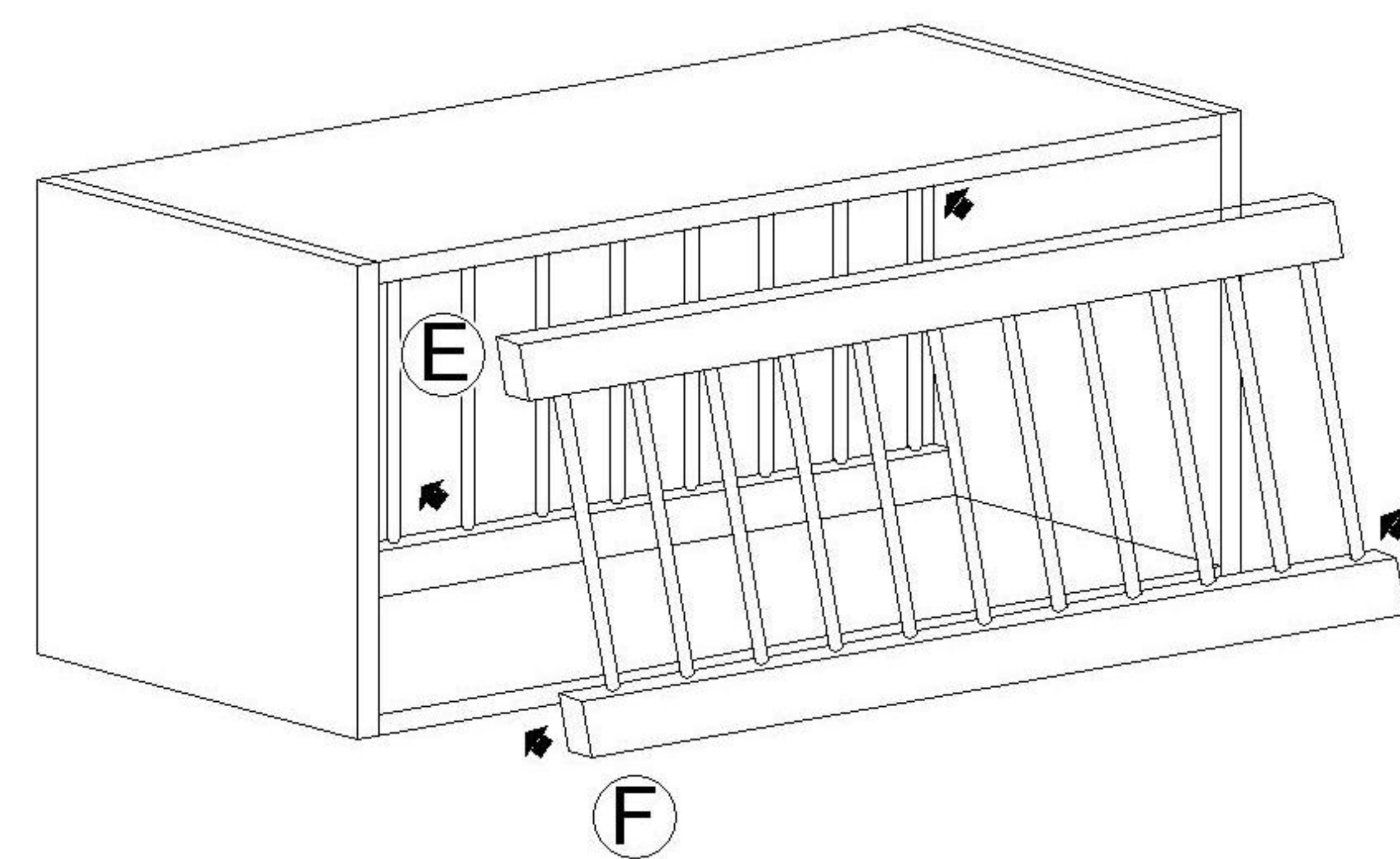
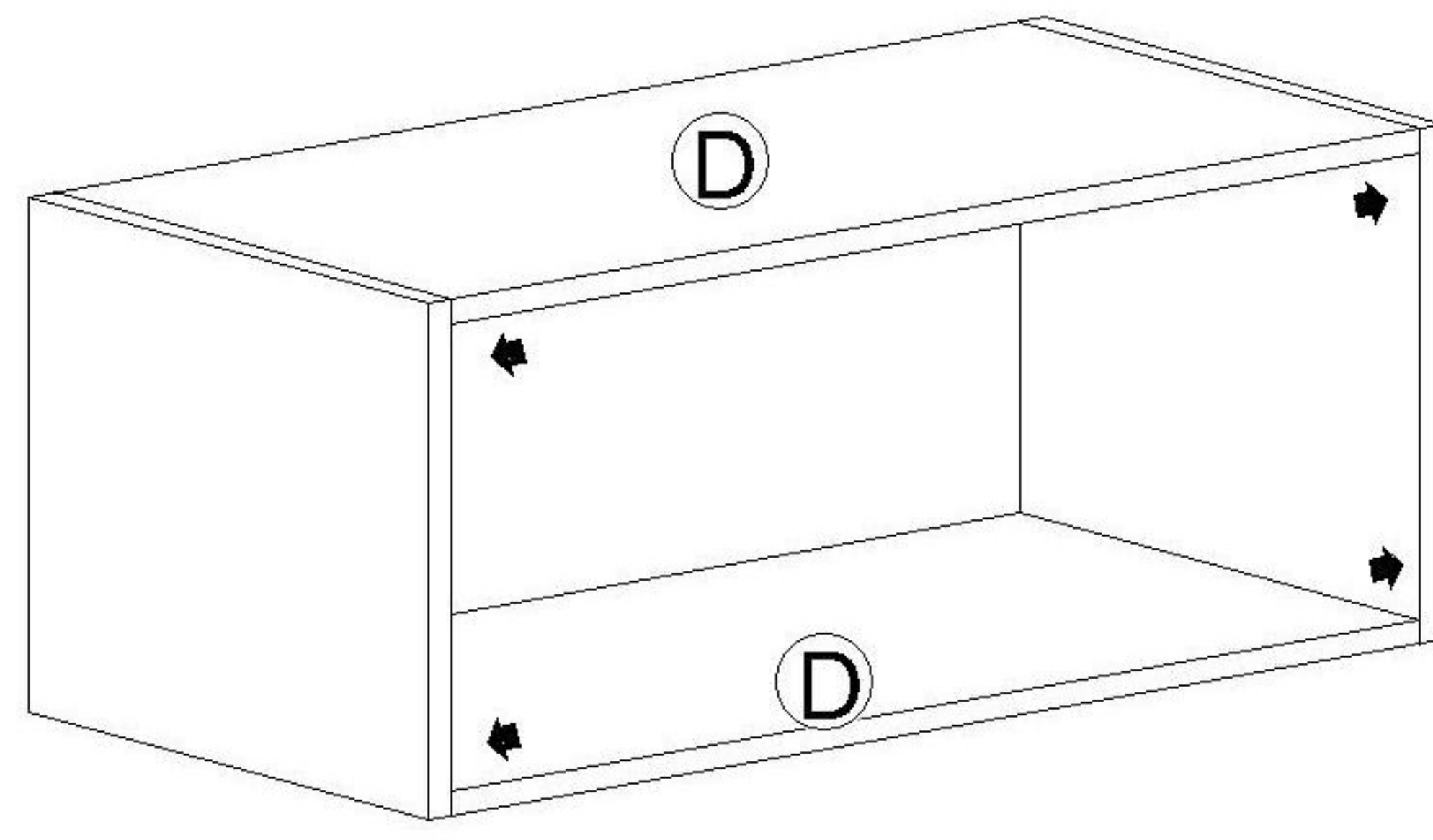
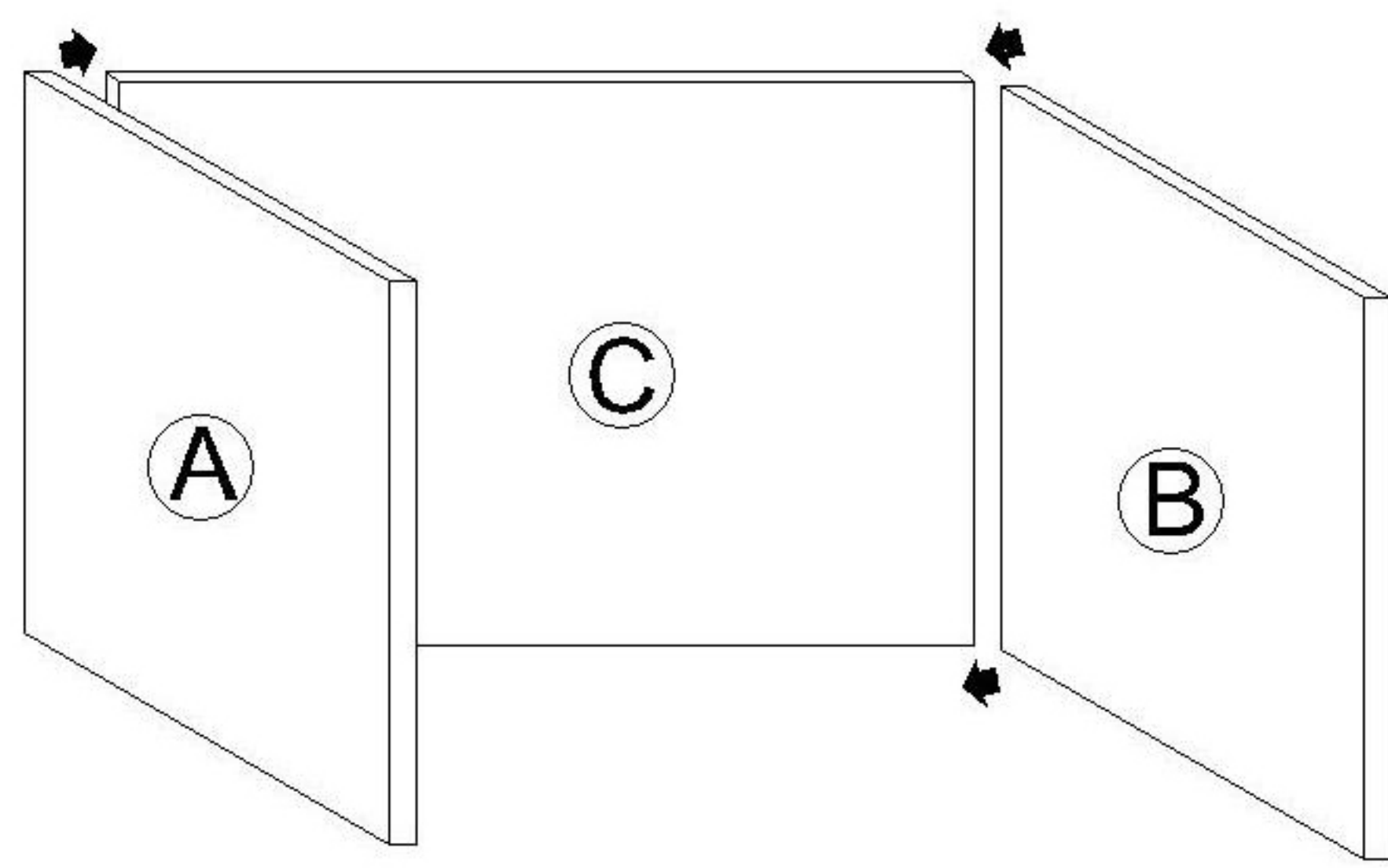
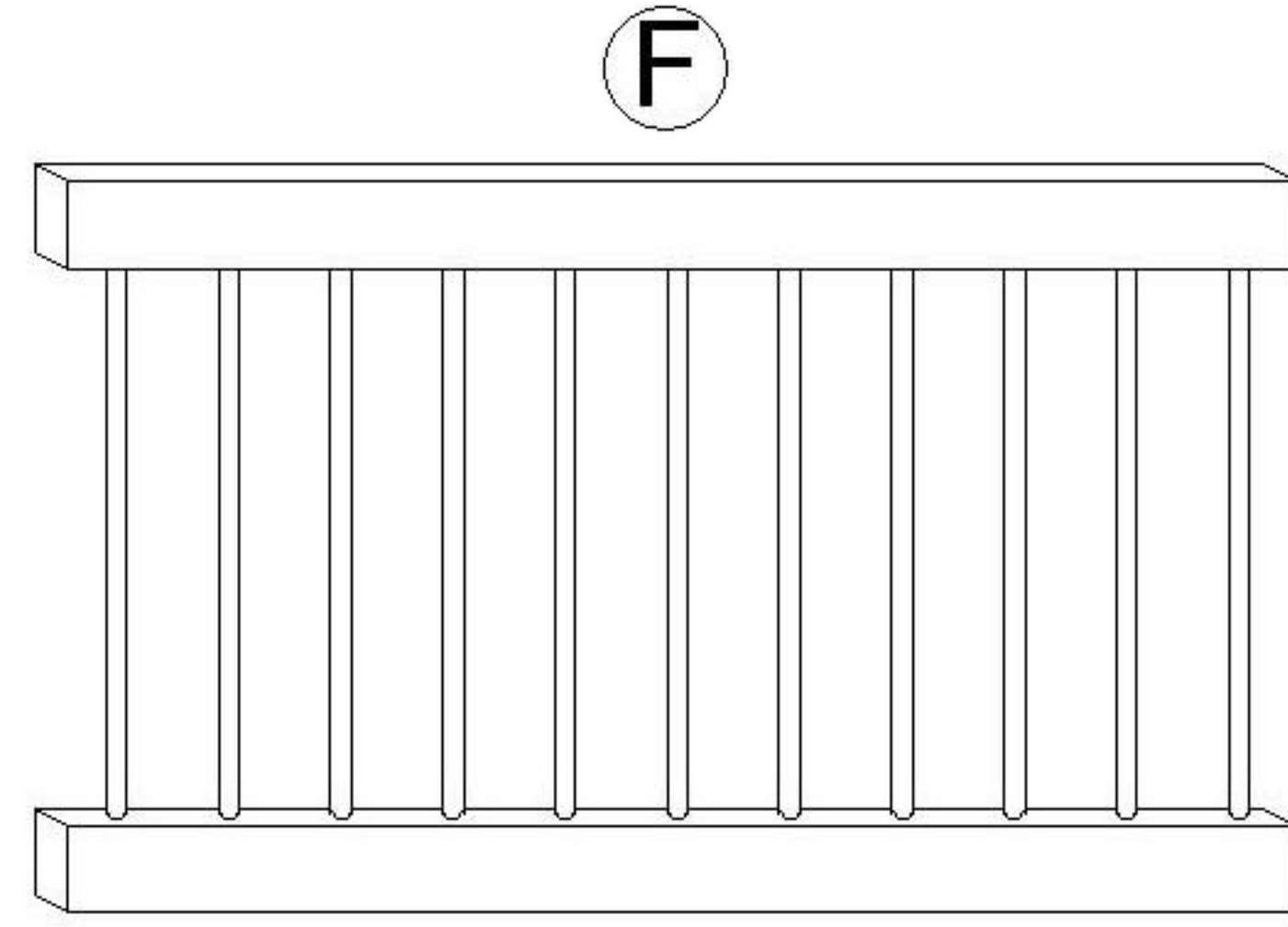
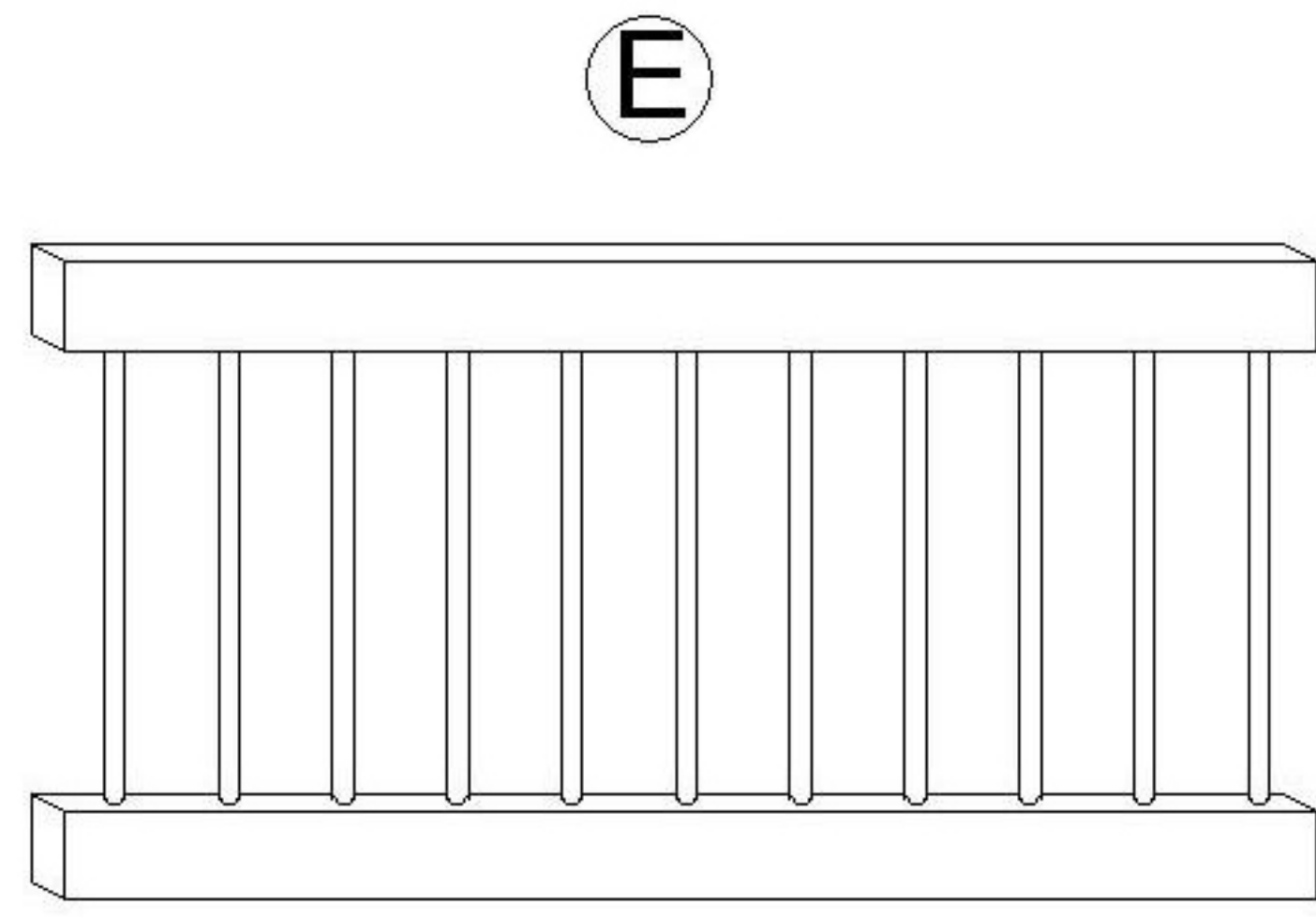
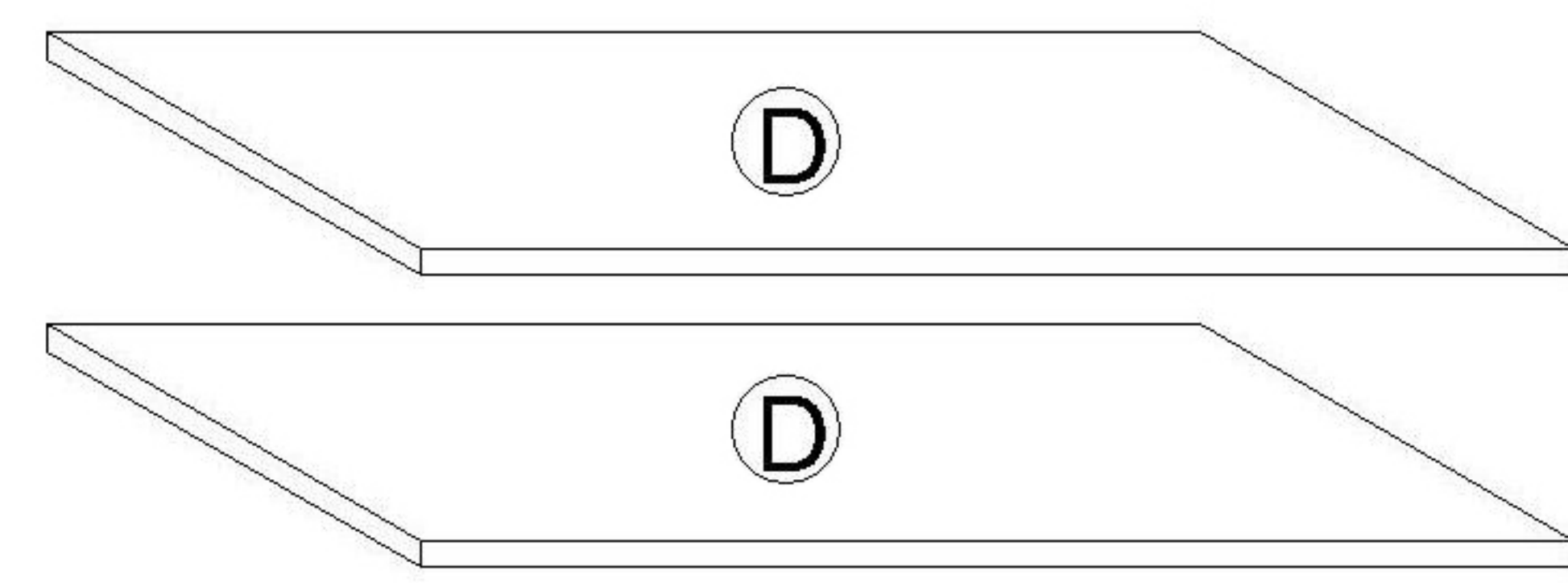
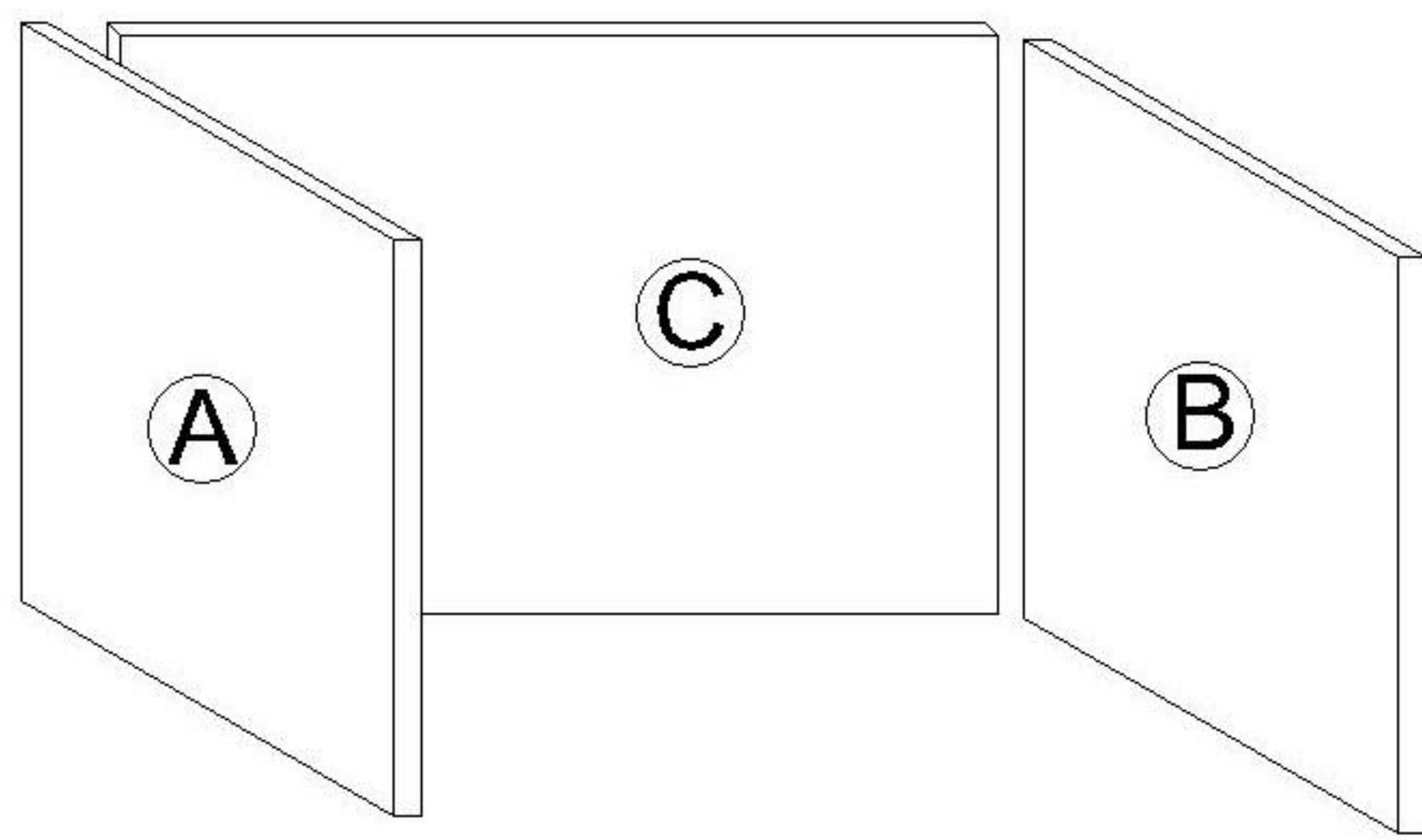
**AVAILABLE TYPE:
W3012 - W3618**

**AVAILABLE TYPE:
W3021 - W3624**

Assembling Instruction for Frameless Wall Dish Holder

AVAILABLE TYPE: WCD3015

- A: Side Panel (Left)
- B: Side Panel (Right)
- C: Back Panel
- D: Top/Bottom Panel
- E: Inside Frame
- F: Diagonal Frame
- G: Face Frame



Assembling Instruction For Frameless Wall Diagonal Cabinet

AVAILABLE TYPE: WDC2430

WDCMD2430

WDC2436

WDC2436-15

WDCMC2436

WDCMD2436-15

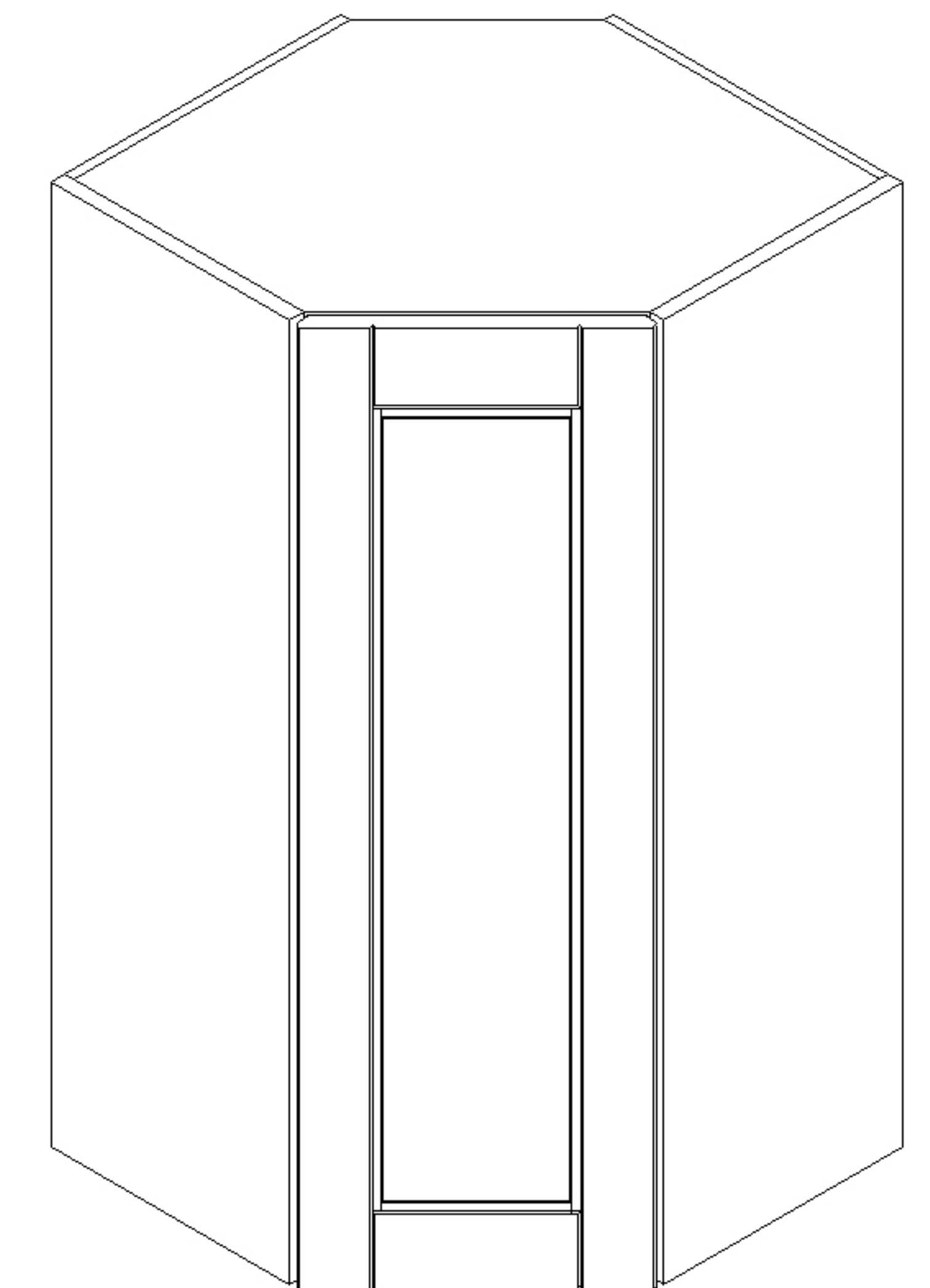
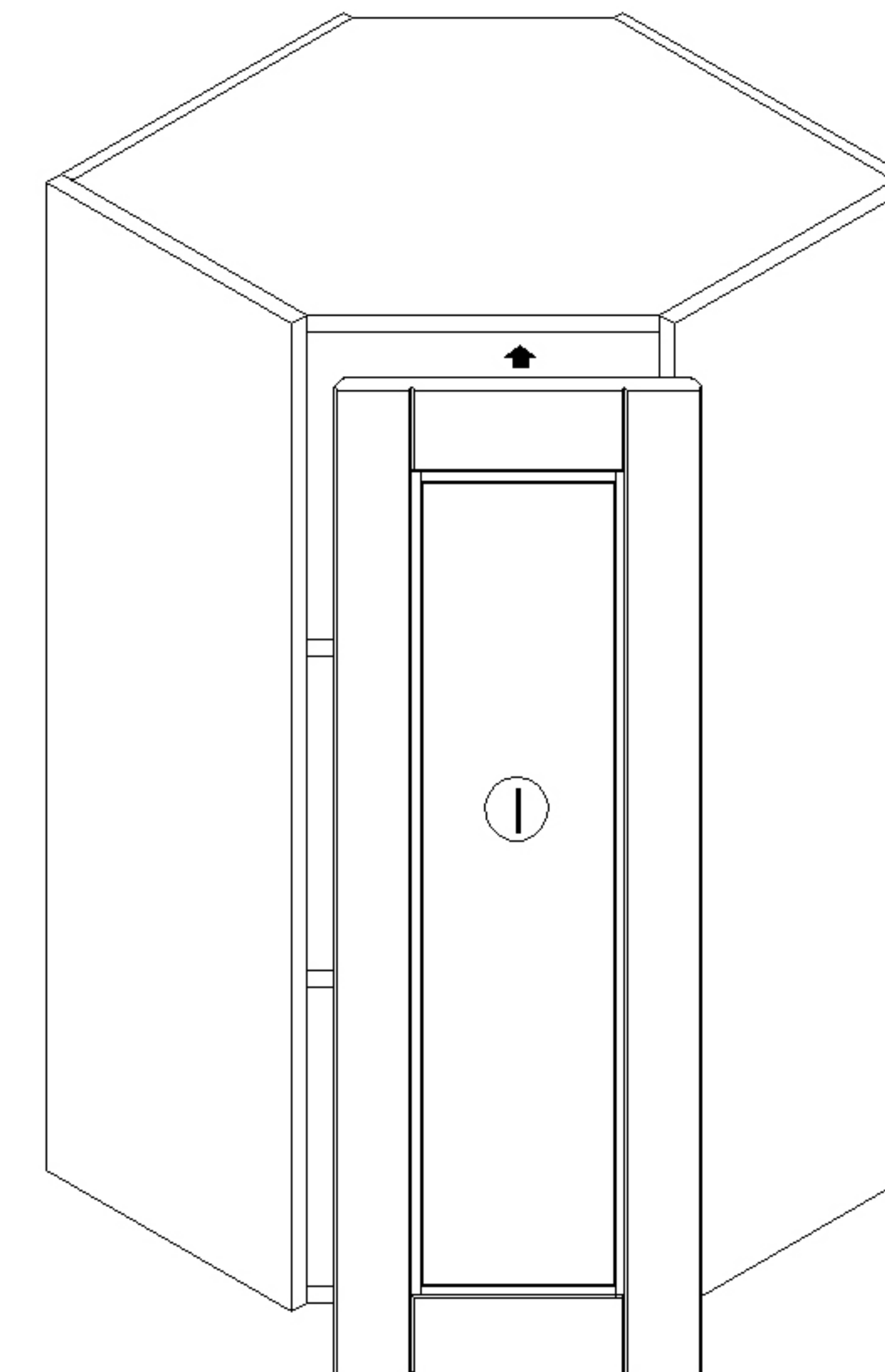
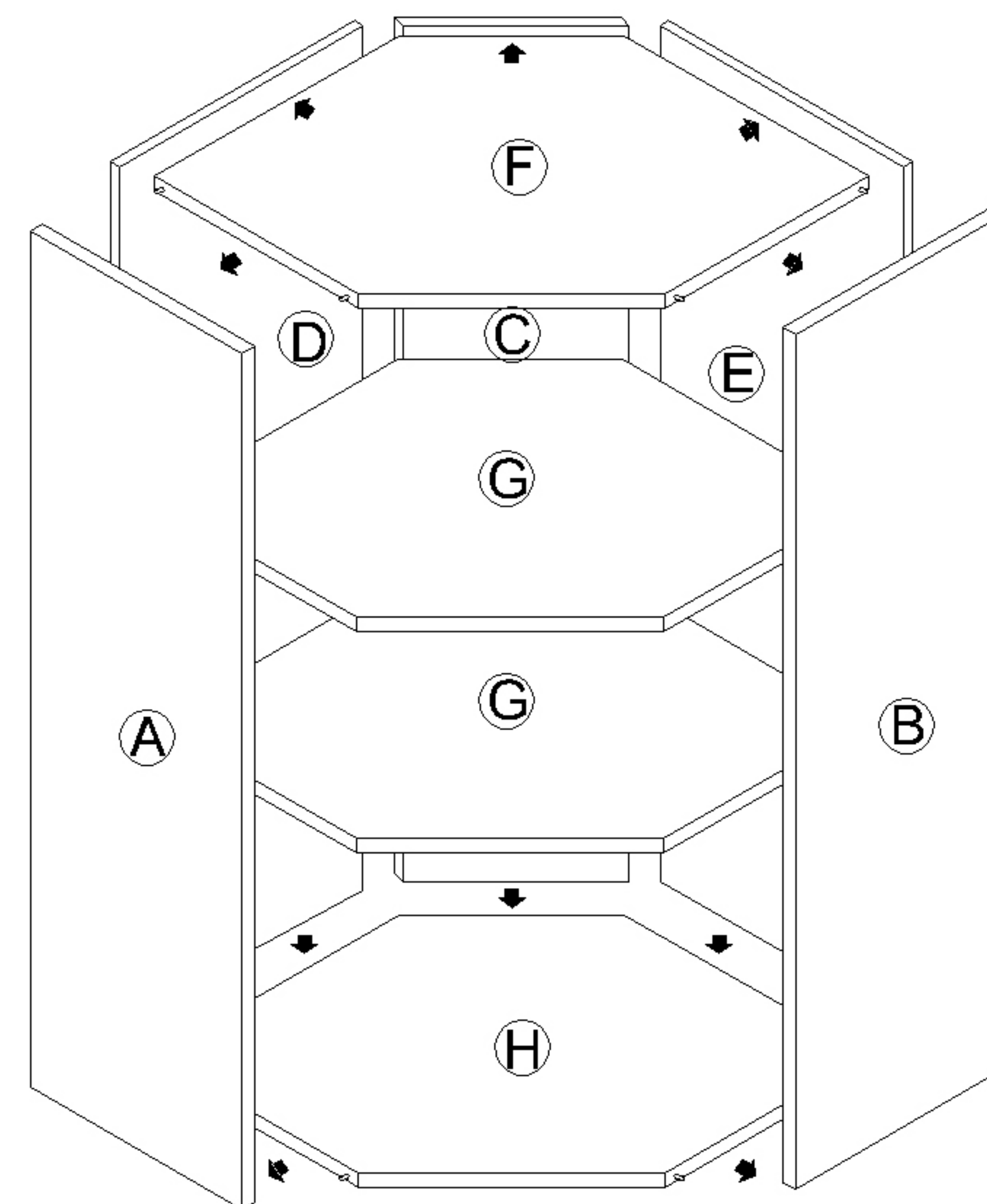
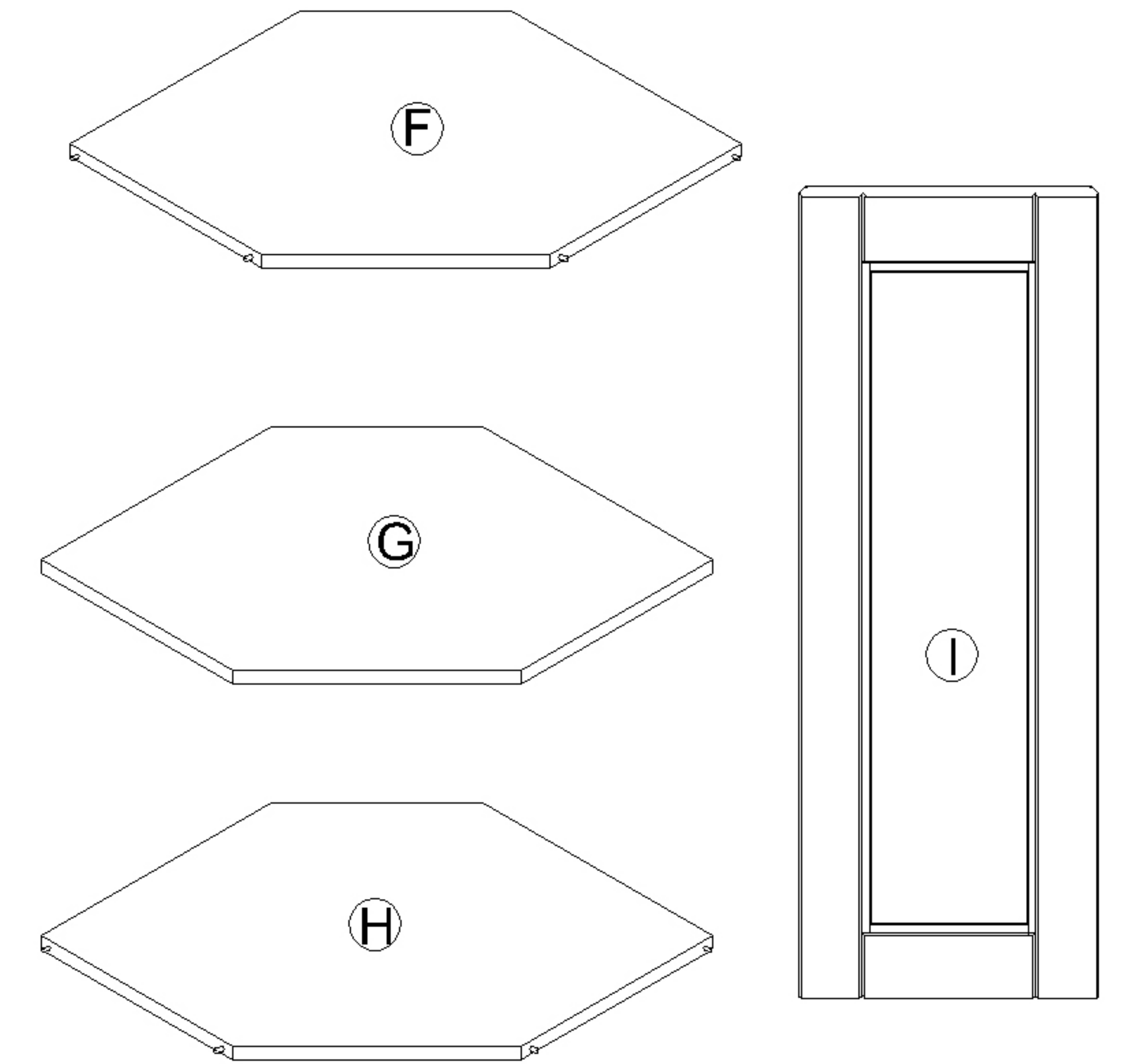
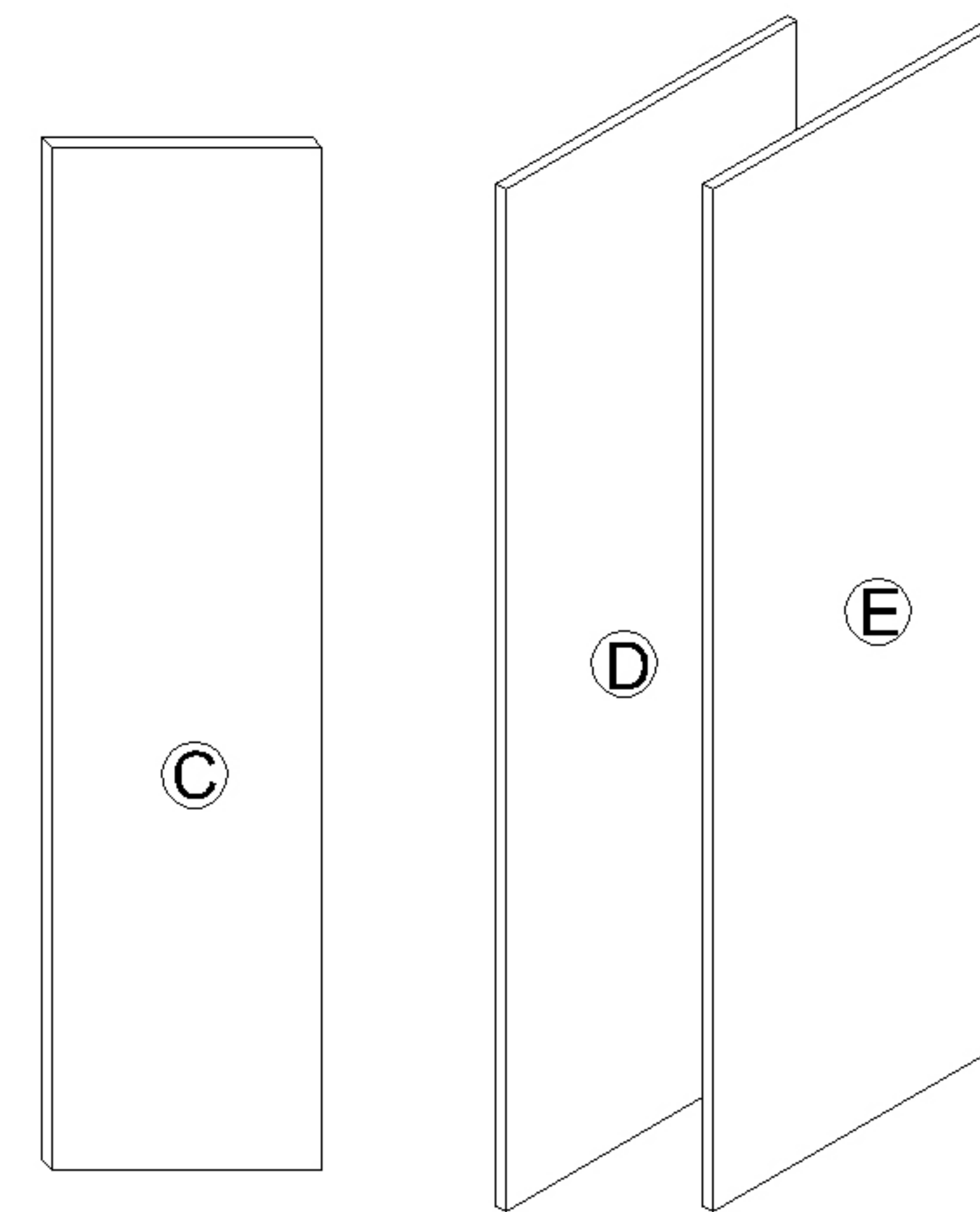
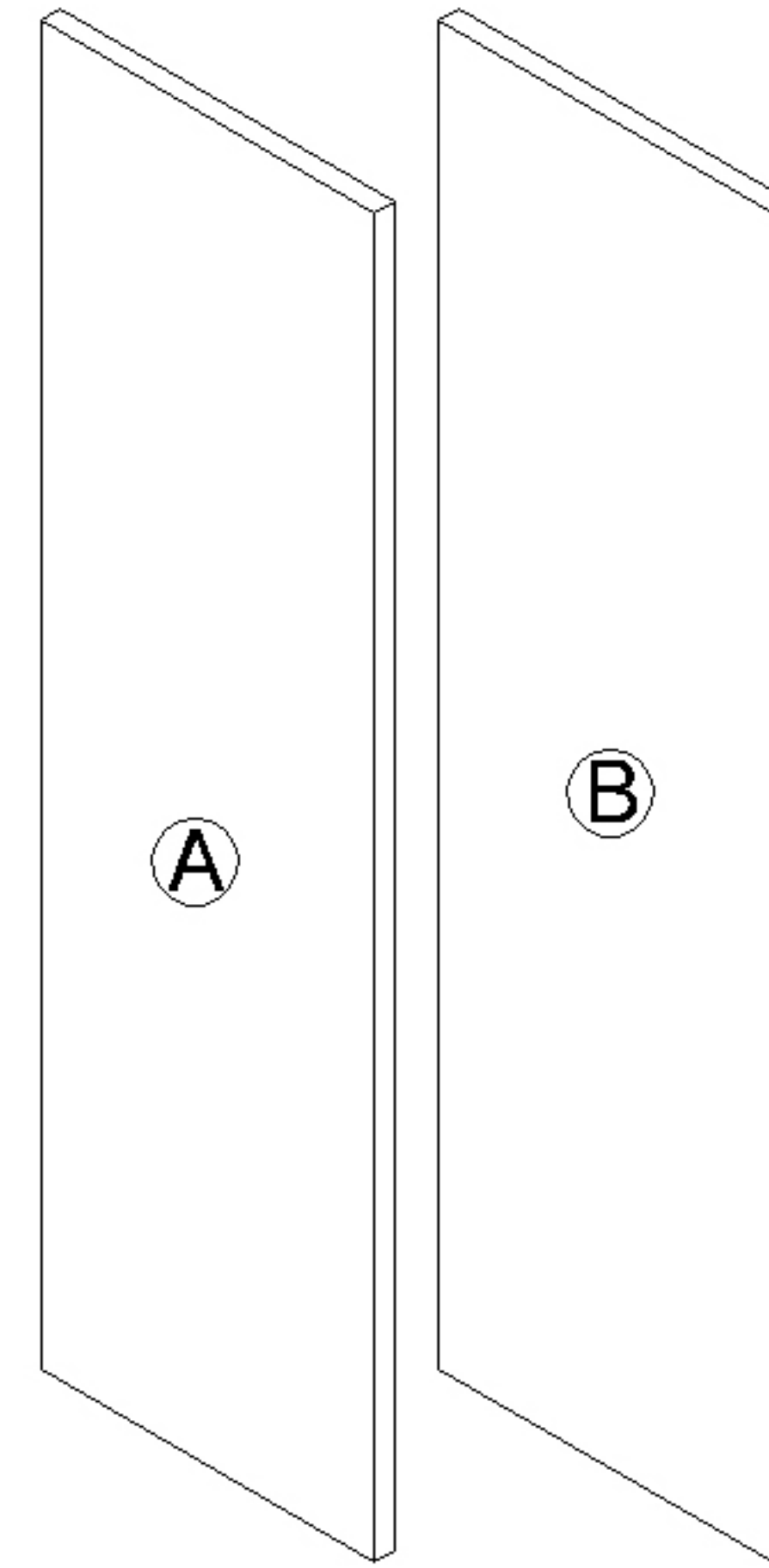
WDC2442

WDC2442-15

WDCMD2442

WDCMD2442-15

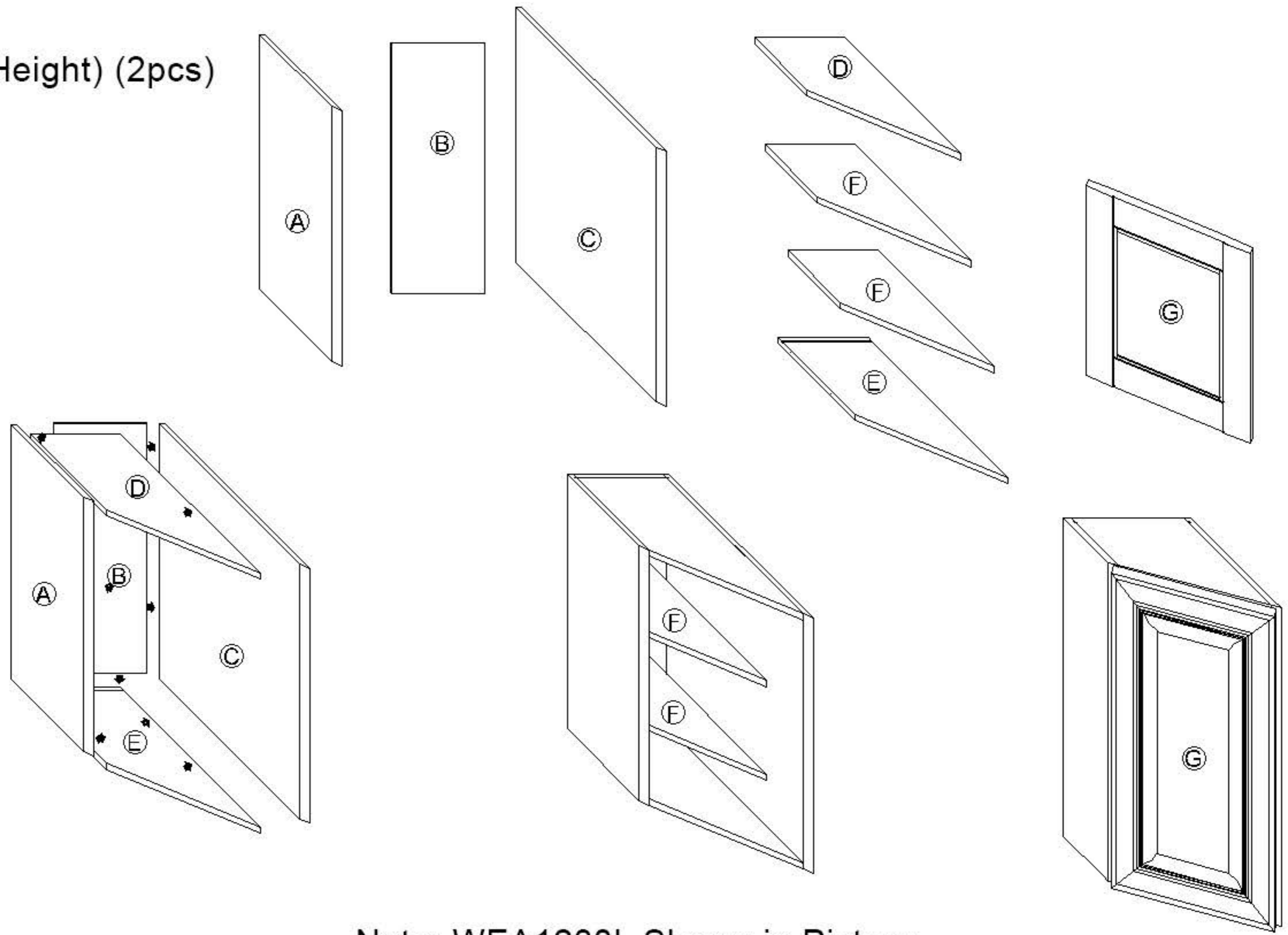
- A: Side Panel (Left)
- B: Side Panel (Right)
- C: Back panel
- D: Back Side Panel (Left)
- E: Back Side Panel (Right)
- F: Top Panel
- G: Shelf (Adjustable Height)
- H: Bottom Panel
- I: Door



Assembling Instruction For Frameless Wall End Angle Cabinet

AVAILABLE TYPE: WEA1230 WEA1236 WEA1242

- A: Side Panel (Left)
- B: Back Panel
- C: Side Panel (Right)
- D: Top Panel
- E: Bottom Panel
- F: Shelf (Adjustable Height) (2pcs)
- G: Door

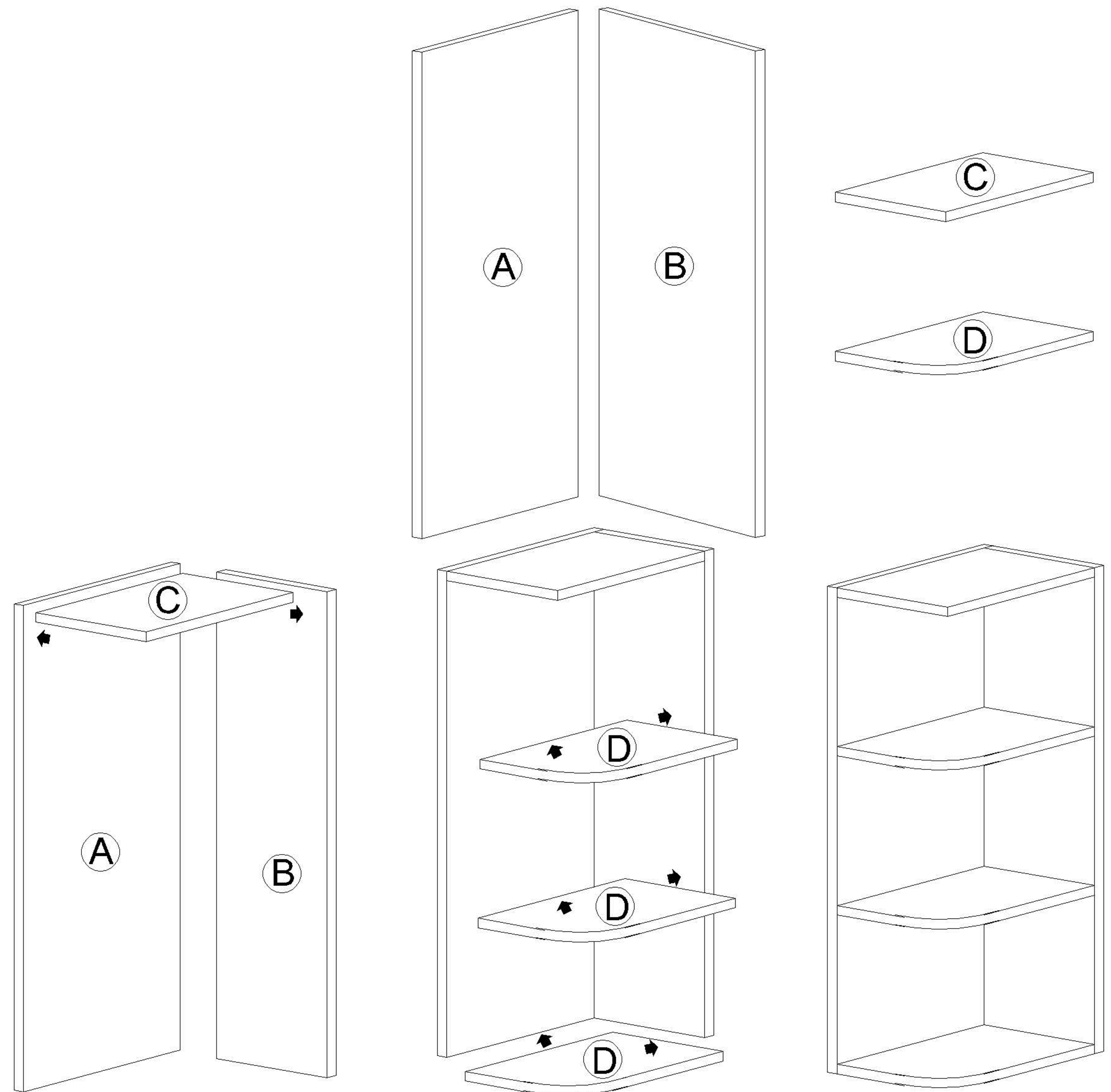


Note: WEA1230L Shown in Picture
WEA1230 And WEA1236 Tall Cabinets Come With 2 Shelves
WEA1242 Tall Cabinet Comes With 3 Shelves

Assembling Instruction for Frameless Wall Open End Shelf

AVAILABLE TYPE: WOES1230L/R WOES1236L/R WOES1242L/R

- A: Side Panel
- B: Back Panel
- C: Top Panel
- D: Middle / Bottom Panel (2pcs)



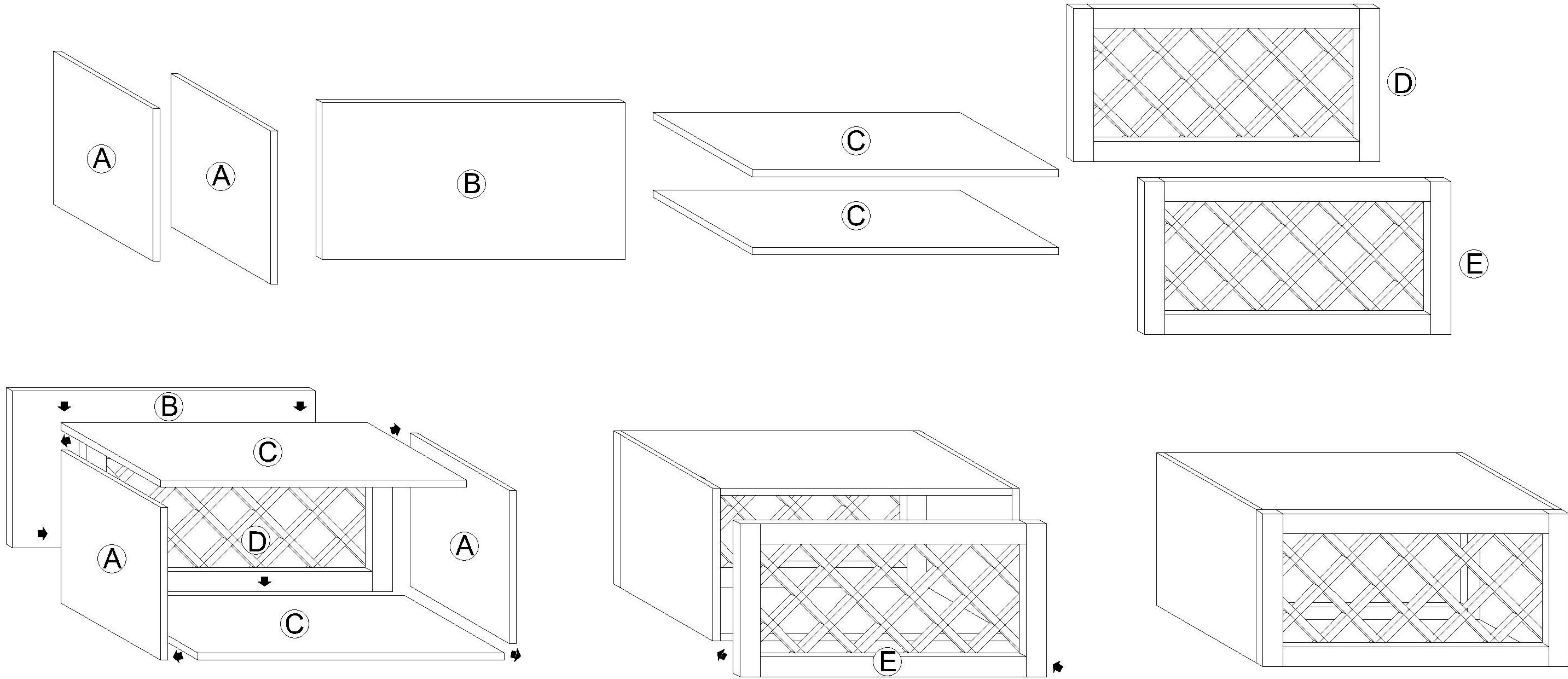
Note: WOES1242 Shown In Picture

WOES1230 and WOES1236 comes with 2 shelves

Assembling Instruction For Frameless Wall Wine Rack Cabinet

AVAILABLE TYPE: WRC3015 WRC3615 WRC3018 WRC3618

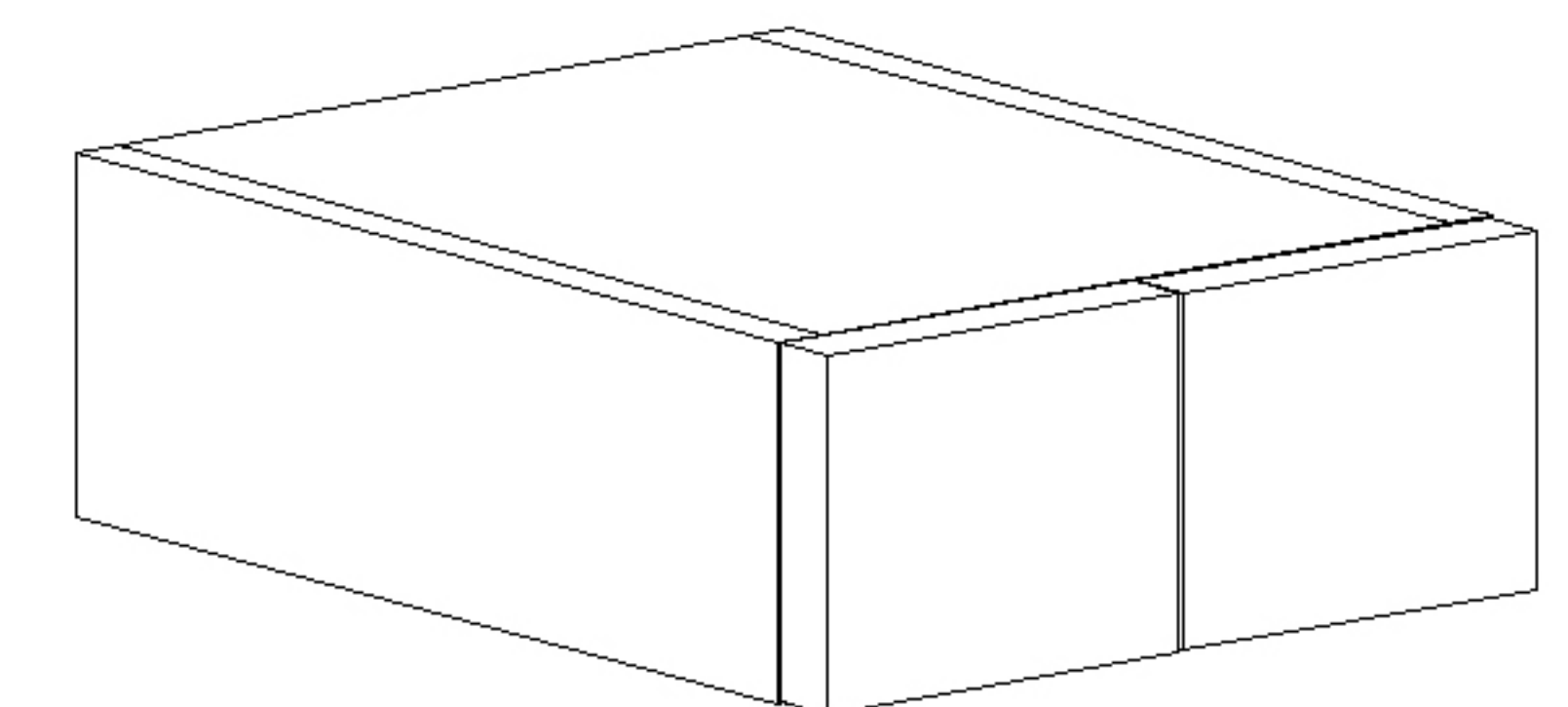
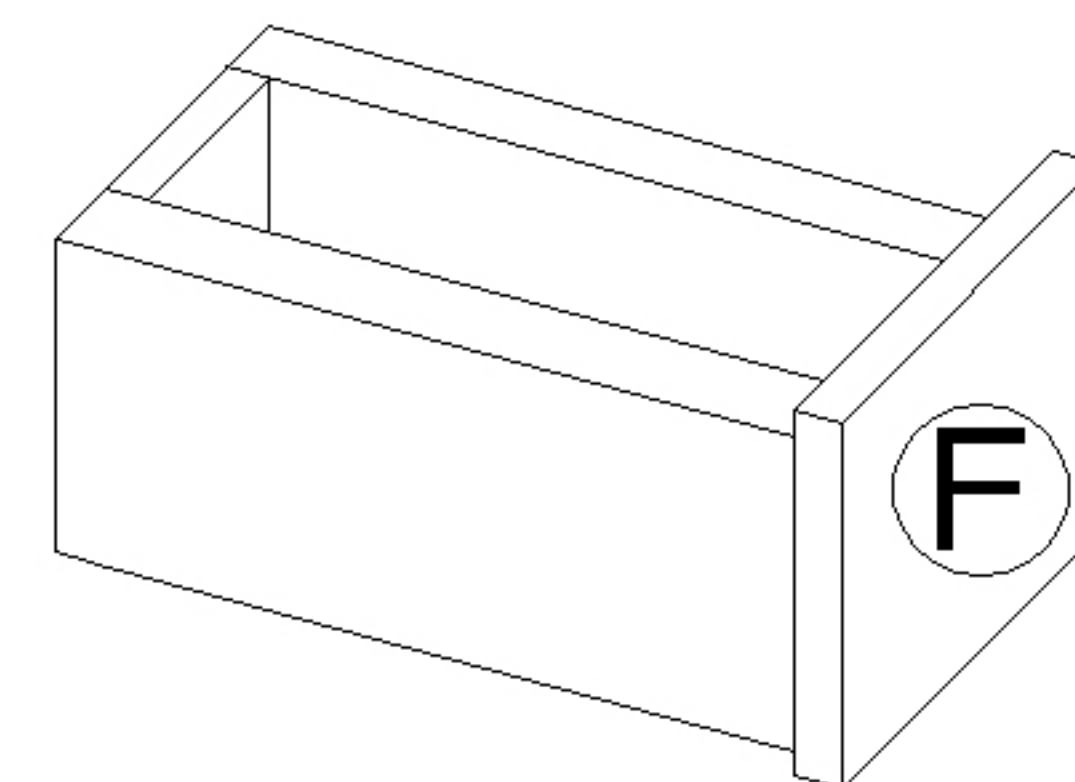
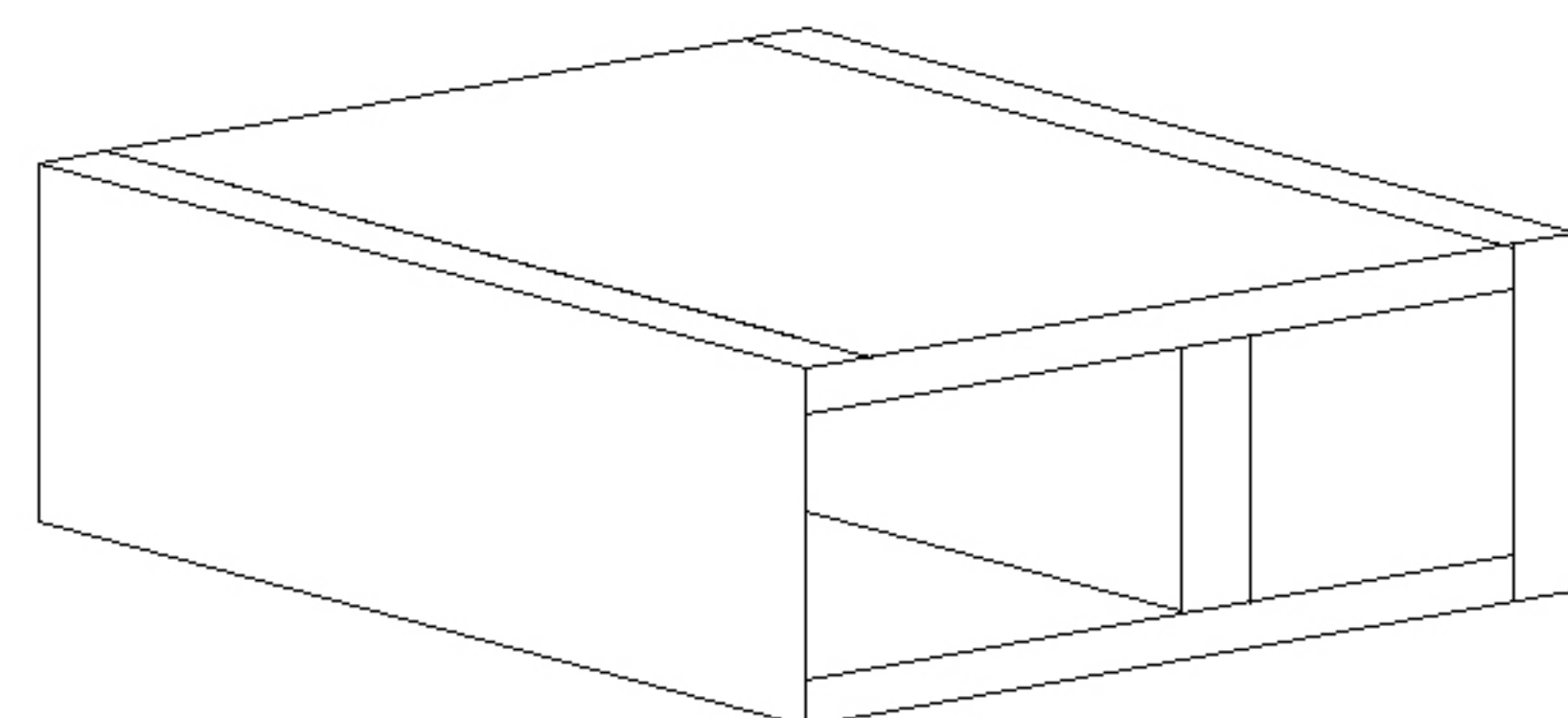
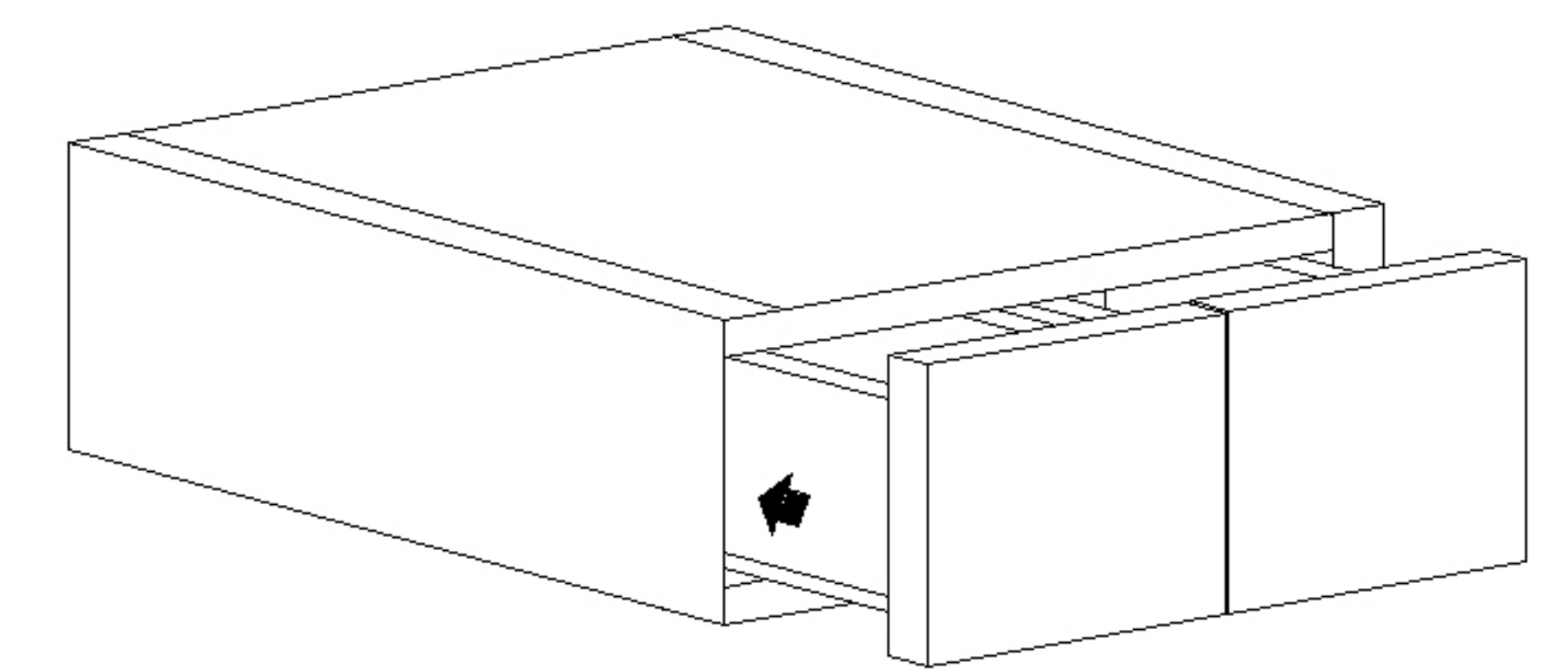
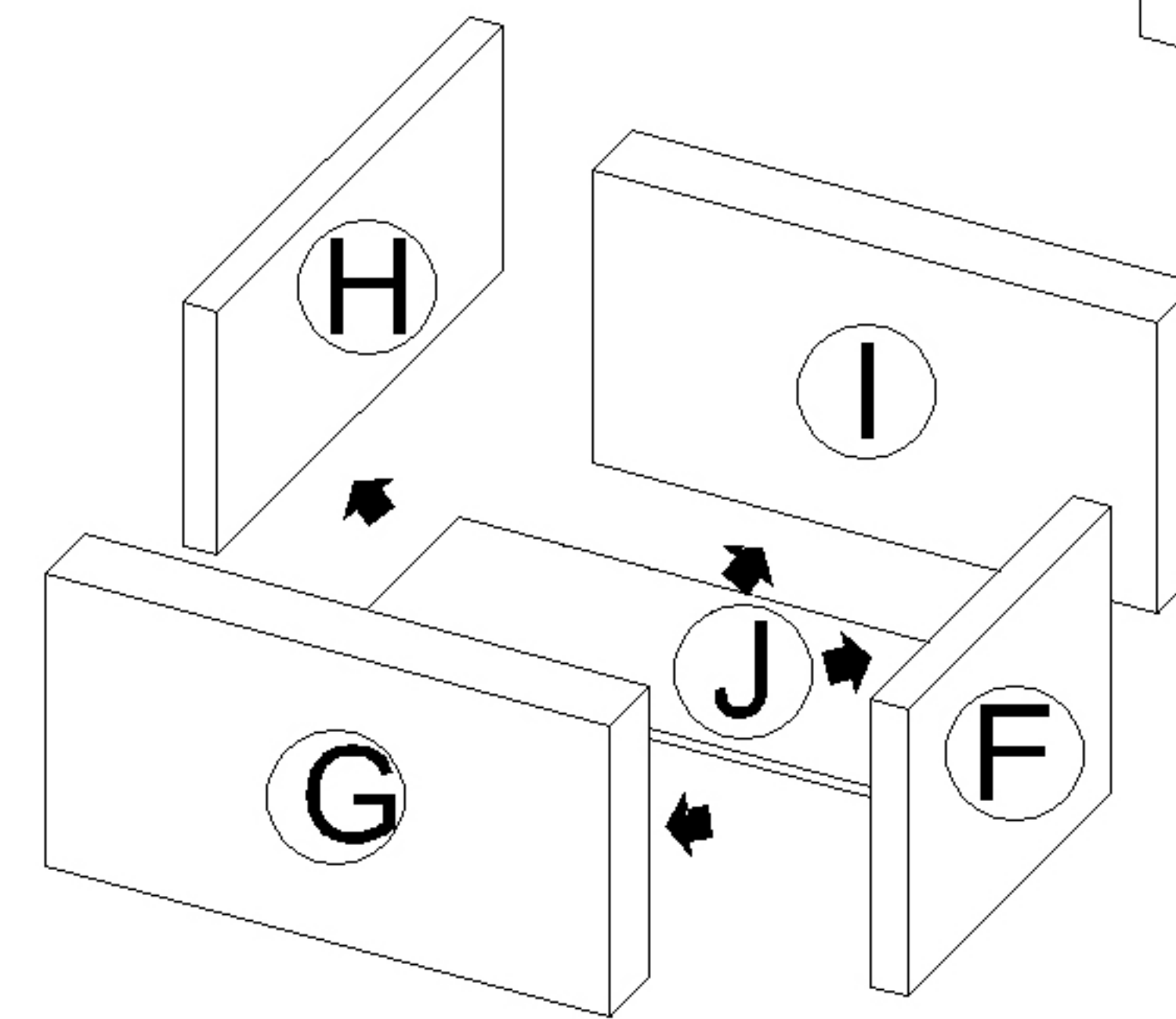
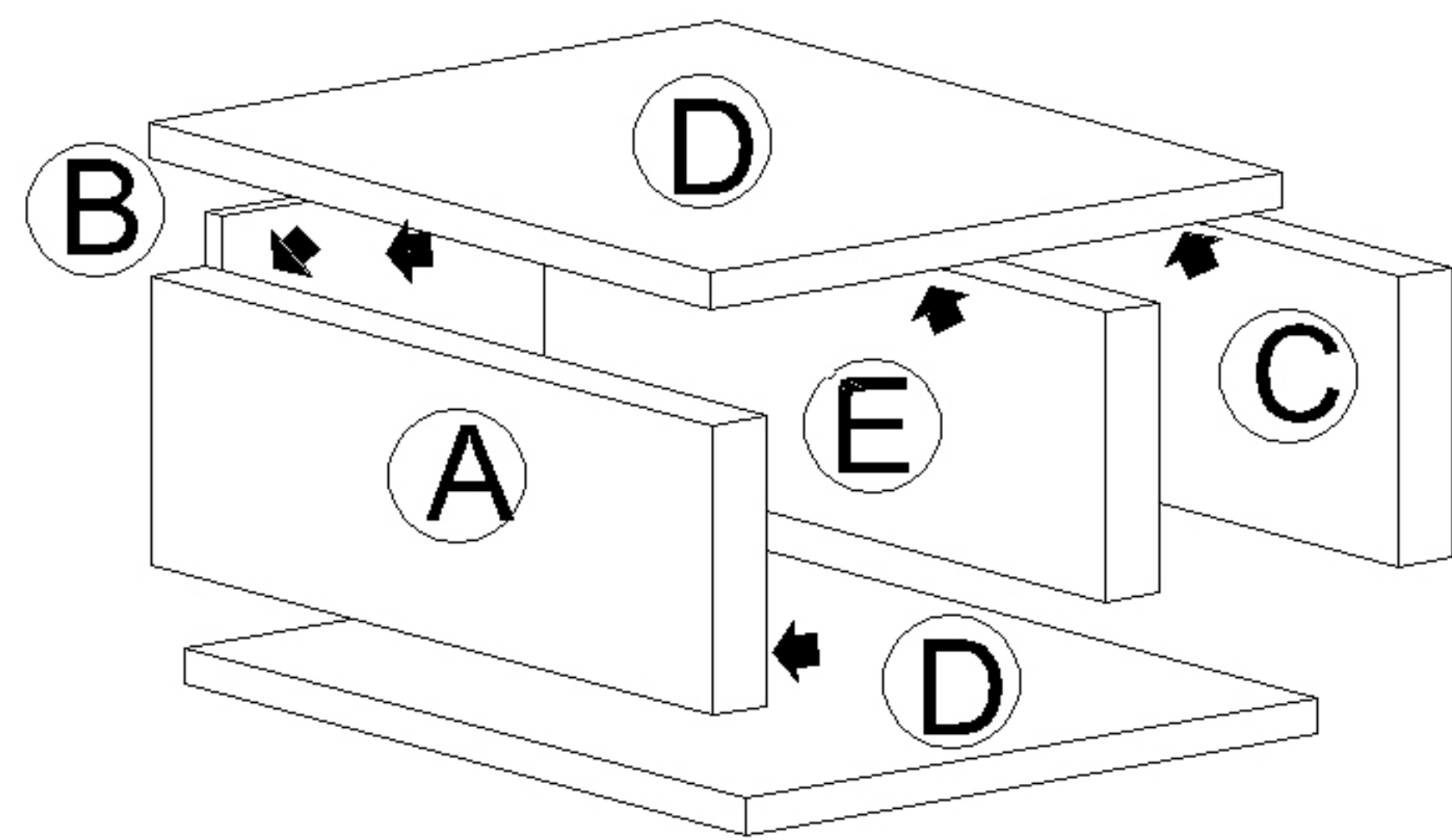
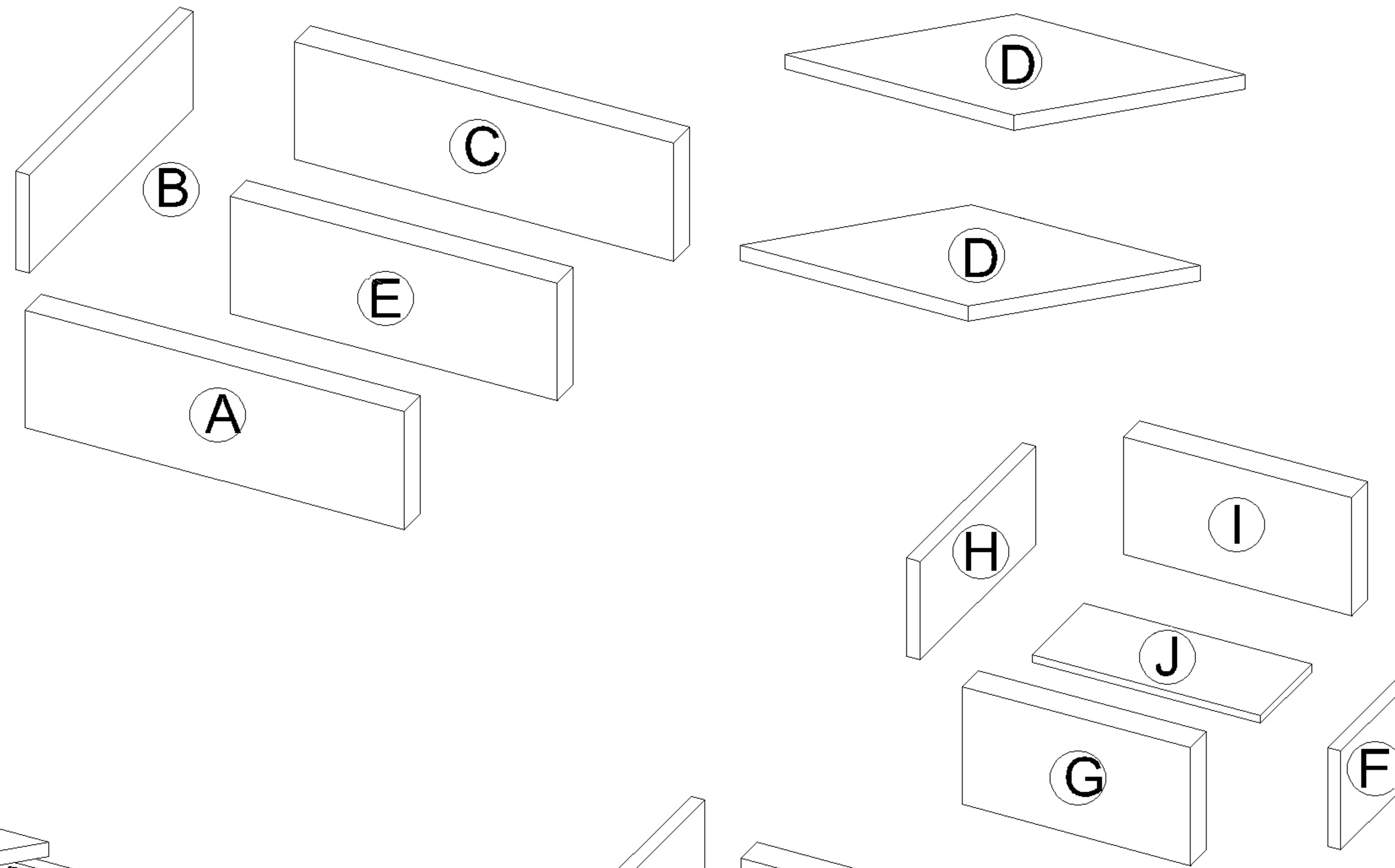
- A: Side Panel (2pcs)
- B: Back Panel
- C: Top / Bottom Panel (2pcs)
- D: Inside Rack
- E: Outside Rack



Assembling Instruction For Frameless Wall Spice Drawer Cabinet

AVAILABLE TYPE: WSD1206

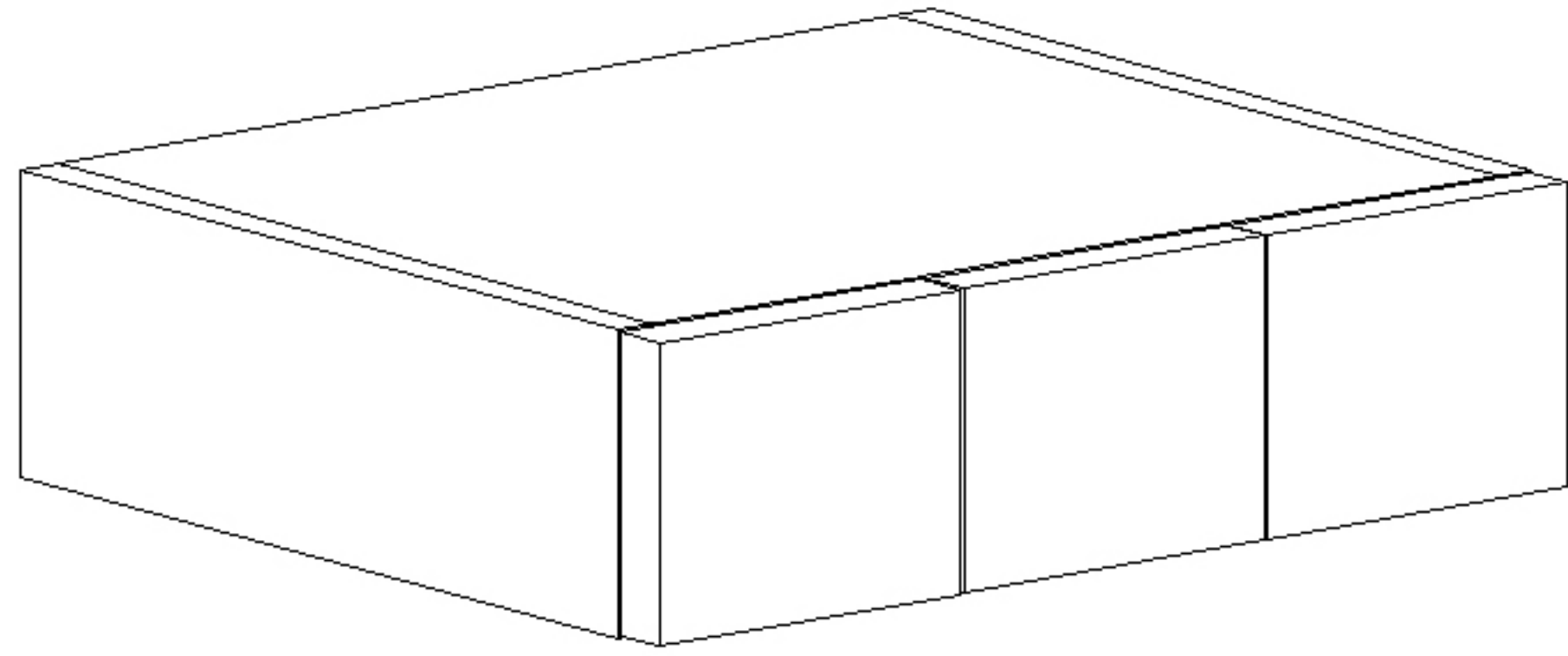
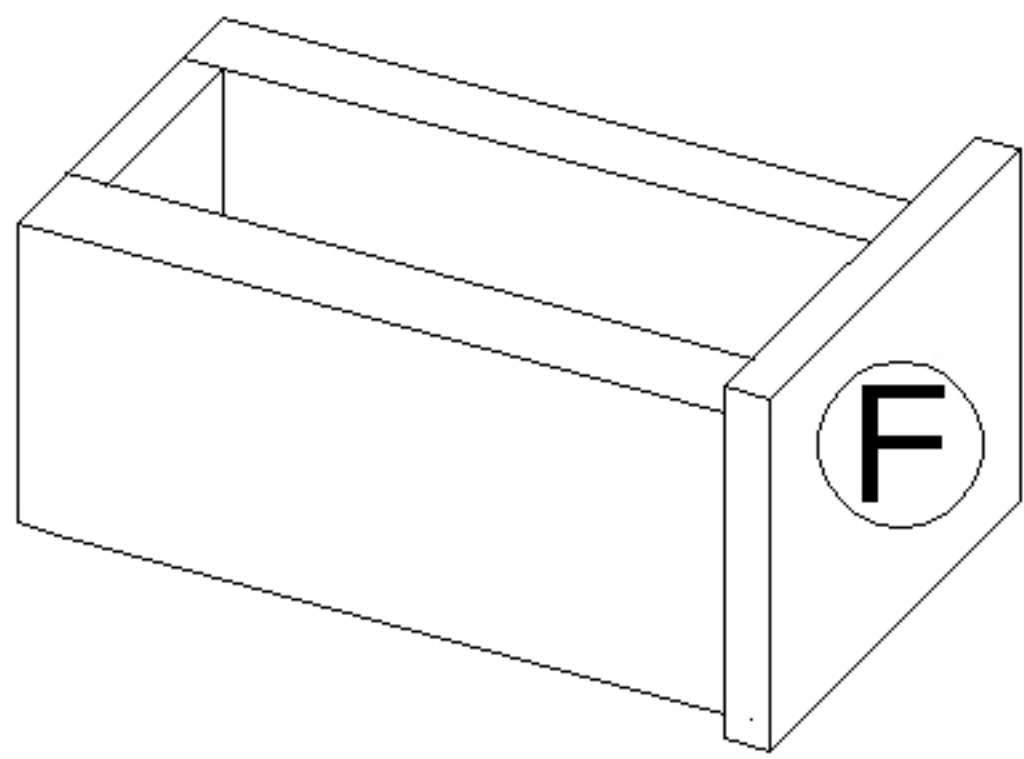
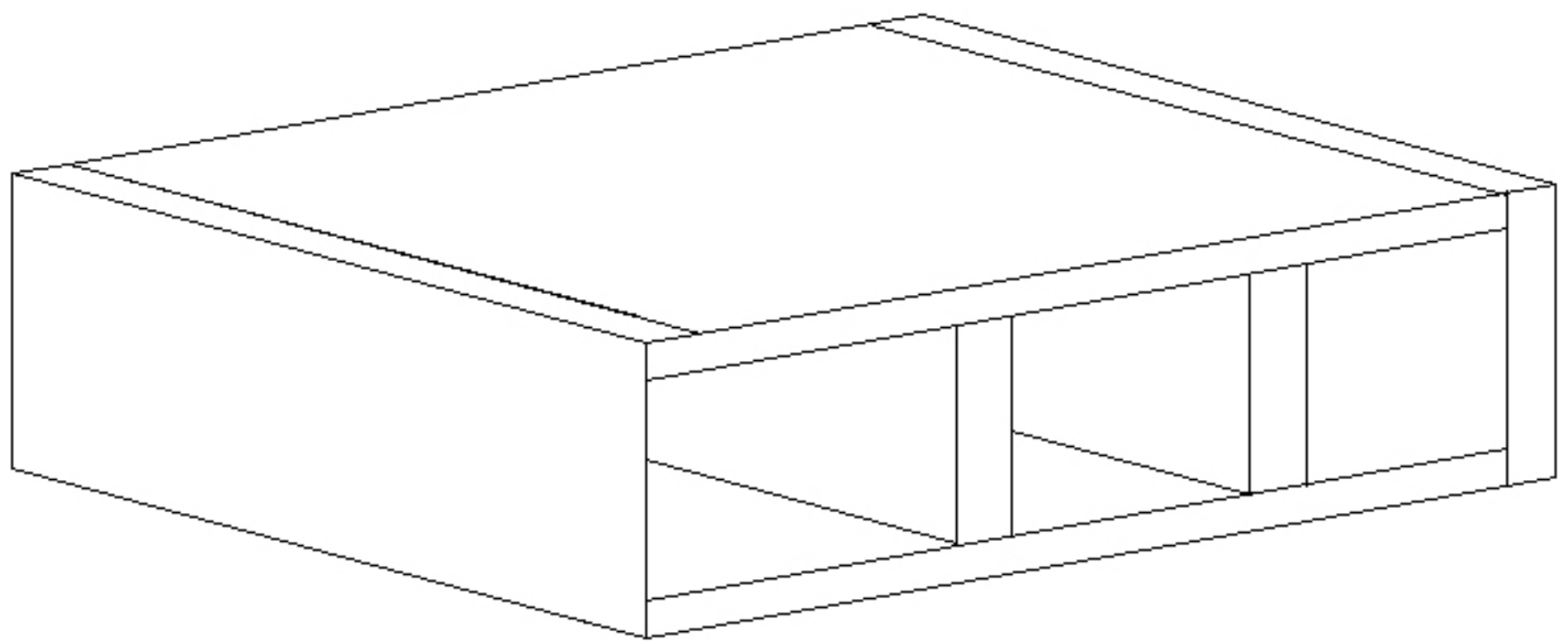
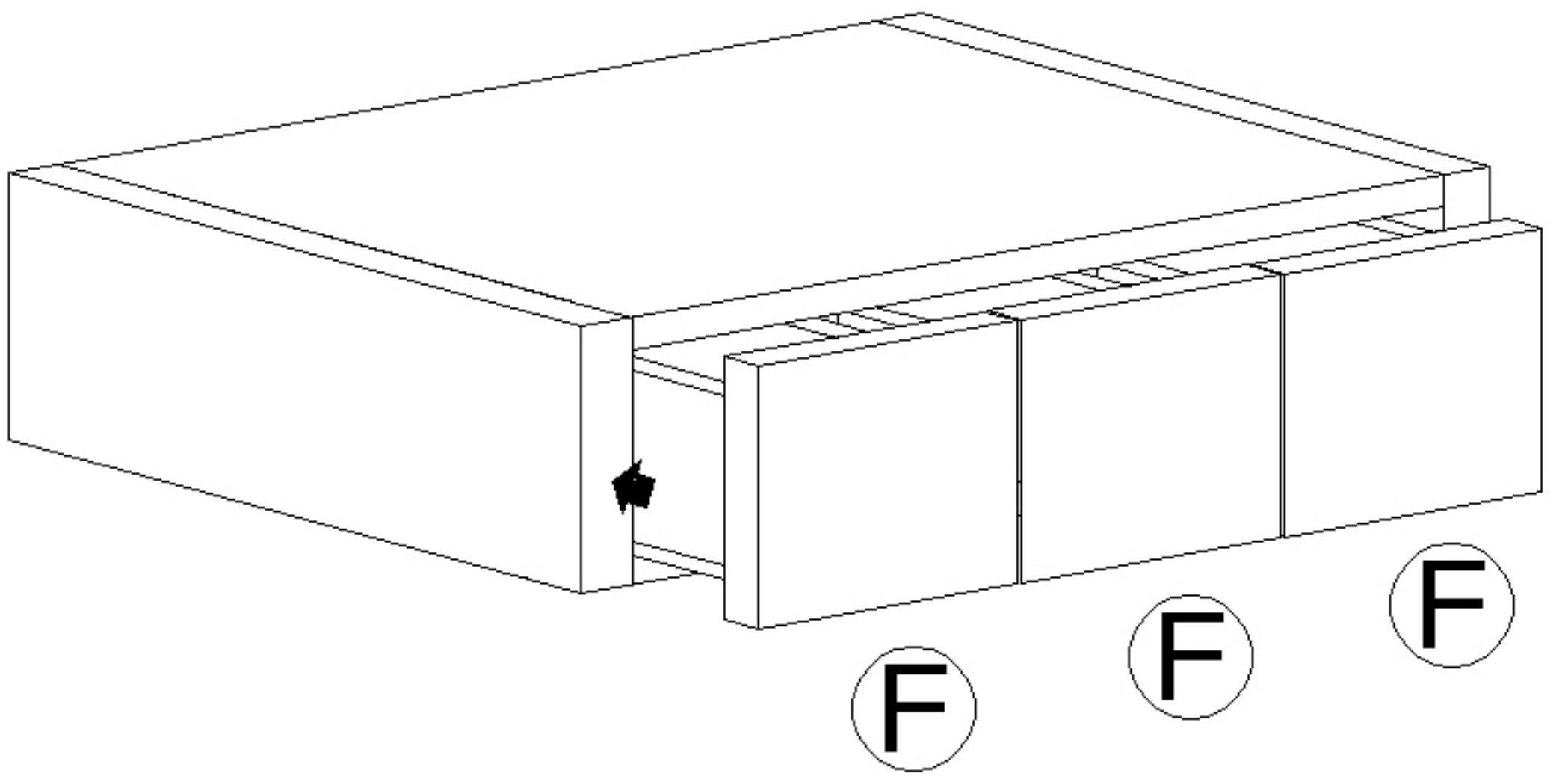
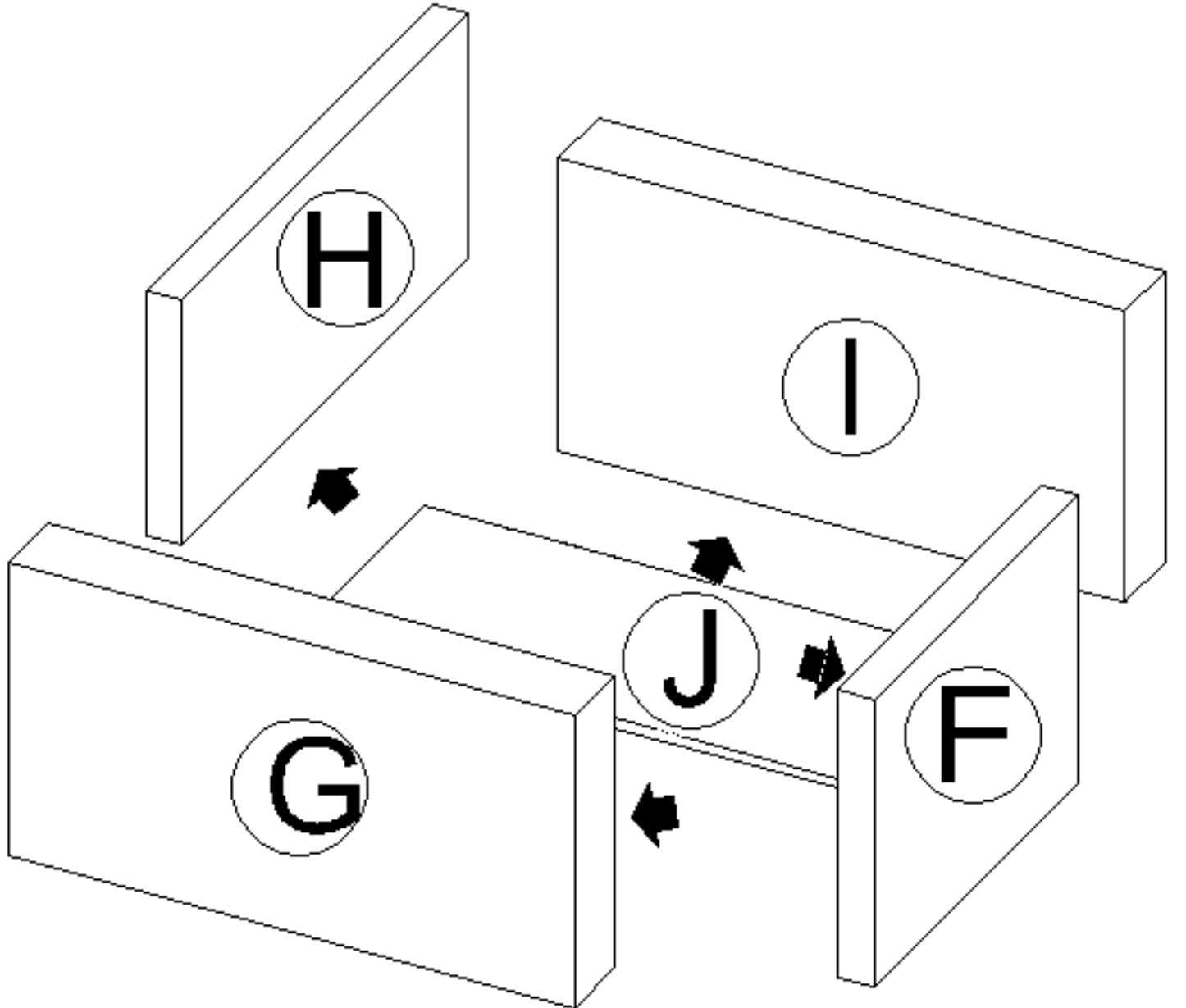
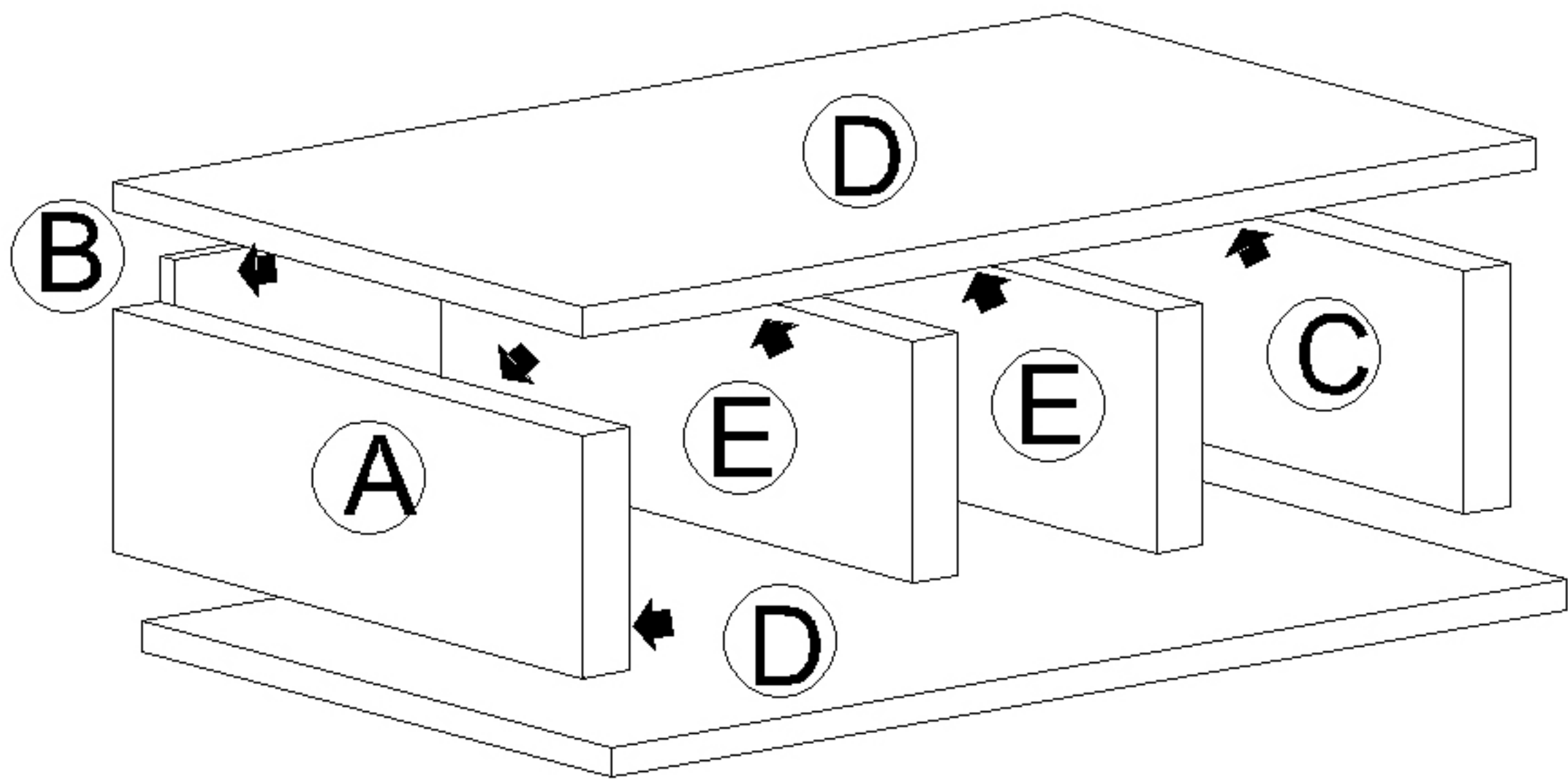
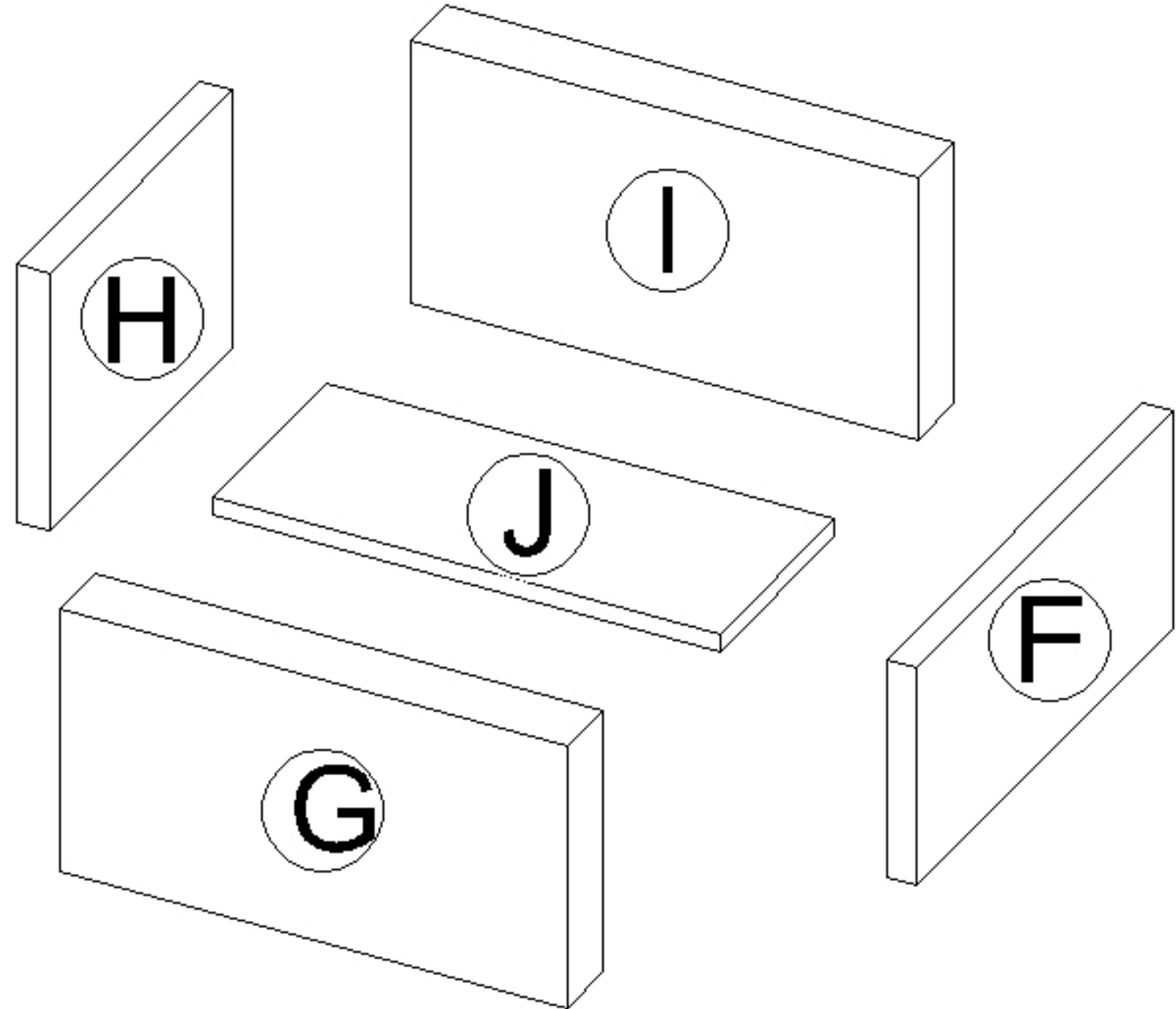
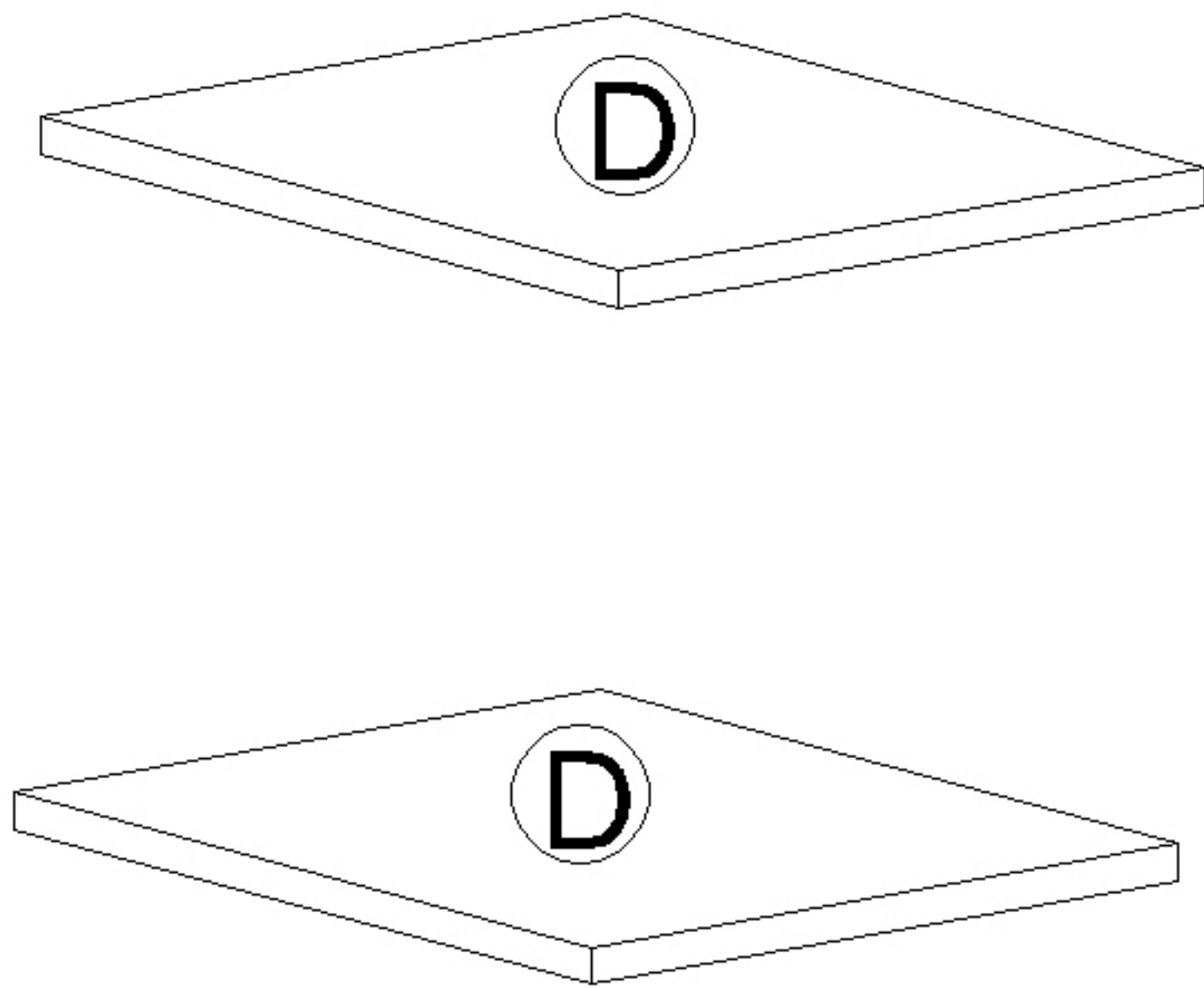
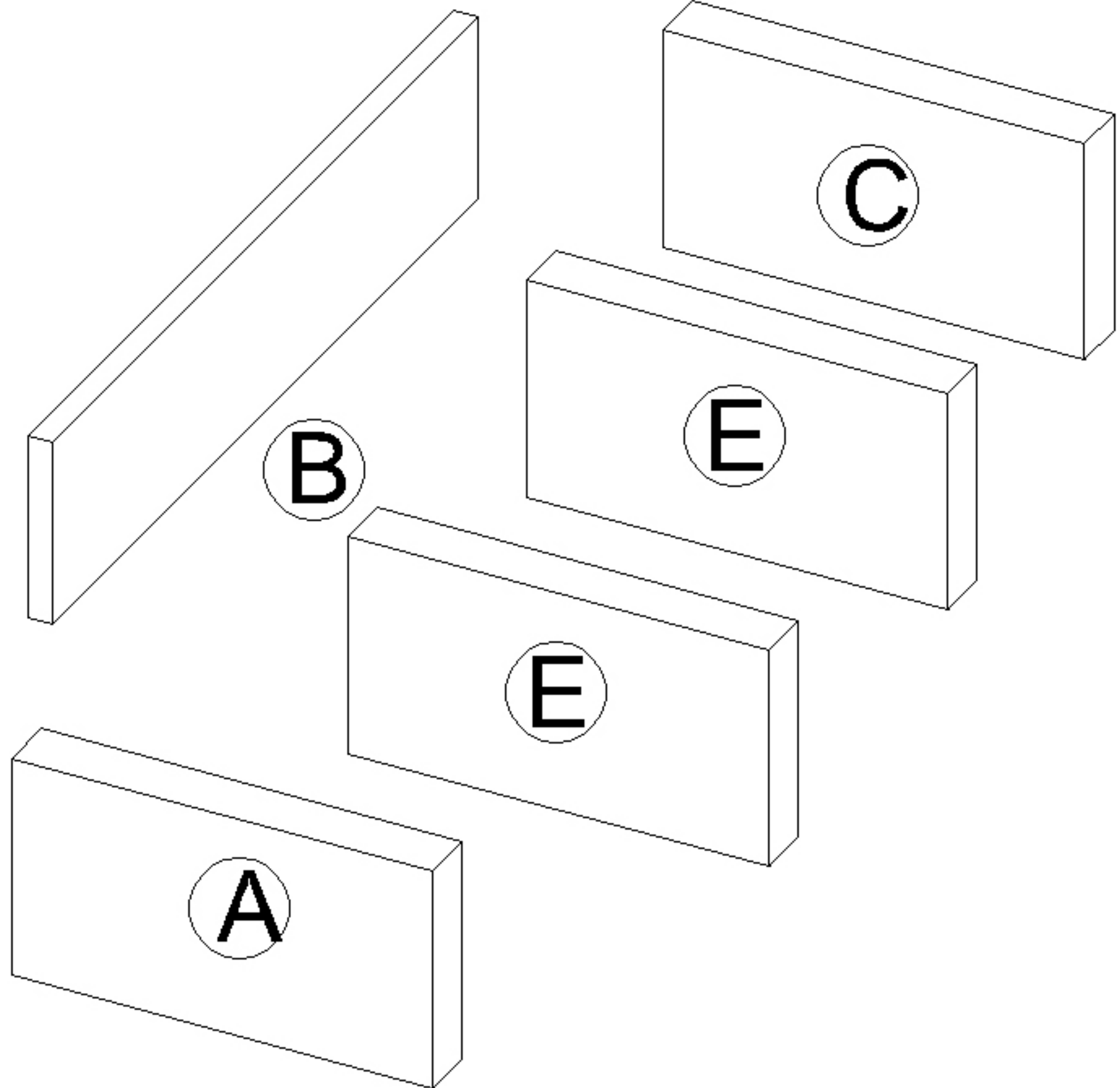
- A: Side Panel (Left)
- B: Back Panel
- C: Side Panel (Right)
- D: Top and Bottom Panel 2pcs
- E: Divider Panel
- F: Drawer Face 2pcs
- G: Drawer Box Panel (Left)
- H: Drawer Box Panel (Back)
- I: Drawer Box Panel (Right)
- J: Drawer Box Panel (Bottom)



Assembling Instruction For Frameless Wall Spice Drawer Cabinet

AVAILABLE TYPE: WSD1806

- A: Side Panel (Left)
- B: Back Panel
- C: Side Panel (Right)
- D: Top and Bottom Panel 2pcs
- E: Divider Panel 2pcs
- F: Drawer Face
- G: Drawer Box Panel (Left)
- H: Drawer Box Panel (Back)
- I: Drawer Box Panel (Right)
- J: Drawer Box Panel (Bottom)



Assembling Instruction For Frameless Wine Rack X Cabinet

AVAILABLE TYPE: WRX1818 WRX2424

- A: Side Panel (2pcs)
- B: Back Panel
- C: Top / Bottom Panel
- D: Rack
- E: Face Frame

